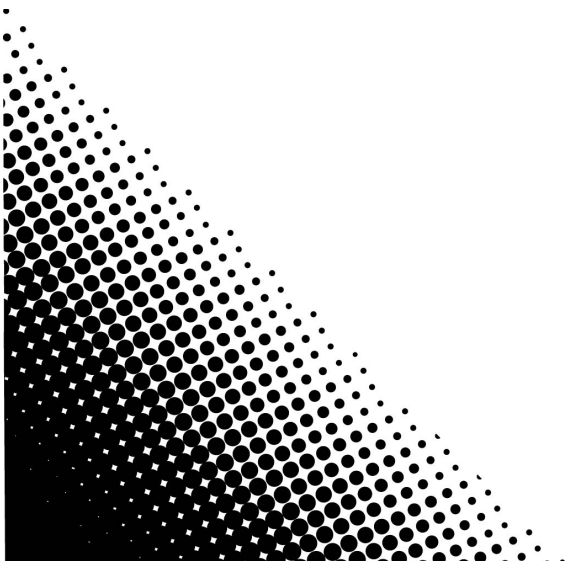
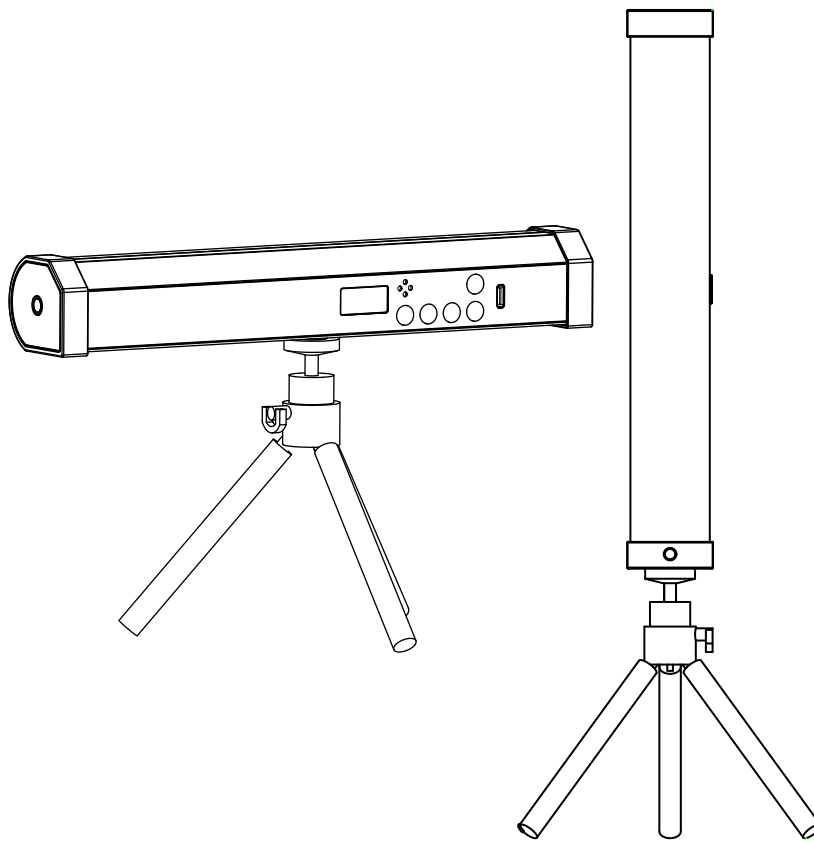


# Cast Tube

## User Manual



---

**TABLE OF CONTENTS**

<b>1. Before You Begin</b> .....	1
What Is Included .....	1
Unpacking Instructions .....	1
Claims .....	1
Text Conventions .....	1
Symbols .....	1
Disclaimer .....	1
Intellectual Property .....	1
Safety Notes.....	2
<b>2. Introduction</b> .....	3
Product Overview .....	3
Product Dimensions .....	3
<b>3. Setup</b> .....	4
DC Power .....	4
Mounting .....	4
Orientation.....	4
<b>4. Operation</b> .....	5
Control Panel Operation.....	5
Menu Map .....	5
Configuration .....	6
Static Color Mode.....	6
Automatic Program .....	6
Auto Program Speed.....	6
Sound Mode.....	6
Sound Sensitivity.....	6
Custom Color Mixing.....	7
Strobe.....	7
Dimmer.....	7
IRC-6 Control .....	8
IRC-6 Operation.....	8
<b>5. Maintenance</b> .....	9
Product Maintenance .....	9
<b>6. Technical Specifications</b> .....	10
<b>Returns</b> .....	11
<b>Contact Us</b> .....	12

# 1. Before You Begin

## What Is Included

- Cast Tube
- Type-C charging cable
- Hard-shell carrying bag
- Tripod
- Quick Reference Guide

## Unpacking Instructions

Carefully unpack the product immediately and check the container to make sure all the parts are in the package and are in good condition.

### Claims




If the box or the contents (the product and included accessories) appear damaged from shipping, or show signs of mishandling, notify the carrier immediately, not Chauvet. Failure to report damage to the carrier immediately may invalidate your claim. In addition, keep the box and contents for inspection.

For other issues, such as missing components or parts, damage not related to shipping, or concealed damage, file a claim with Chauvet within 7 days of delivery.

## Text Conventions

Convention	Meaning
<b>1–512</b>	A range of values
<b>50/60</b>	A set of values of which only one can be chosen
<b>Settings</b>	A menu option not to be modified
<b>&lt;ENTER&gt;</b>	A key to be pressed on the product's control panel
<b>ON</b>	A value to be entered or selected

## Symbols

Symbol	Meaning
	Critical installation, configuration, or operation information. Not following these instructions may make the product not work, cause damage to the product, or cause harm to the operator.
	Important installation or configuration information. The product may not function correctly if this information is not used.
	Useful information.

## Disclaimer

Chauvet believes that the information contained in this manual is accurate in all respects. However, Chauvet assumes no responsibility and specifically disclaims any and all liability to any party for any loss, damage or disruption caused by any errors or omissions in this document, whether such errors or omissions result from negligence, accident or any other cause. Chauvet reserves the right to revise the content of this document without any obligation to notify any person or company of such revision, however, Chauvet has no obligation to make, and does not commit to make, any such revisions. Download the latest version from [www.chauvetdj.com](http://www.chauvetdj.com).

## Intellectual Property

The works of authorship contained in this manual, including, but not limited to, all design, text and images are owned by Chauvet.

© Copyright 2021 Chauvet & Sons, LLC. All rights reserved.

Electronically published by Chauvet in the United States of America.

CHAUVET, the Chauvet logo, and Cast Tube are registered trademarks or trademarks of Chauvet & Sons LLC (d/b/a Chauvet and Chauvet Lighting) in the United States and other countries. Other company and product names and logos referred to herein may be trademarks of their respective companies.

## Safety Notes



- This product is not intended for permanent installation.
- Avoid direct eye exposure to the light source while the product is on.
- Make sure the charging cord is not crimped or damaged.
- Never disconnect the product from the charger by pulling or tugging on the cord.
- Make sure there are no flammable materials close to the product when operating.
- Do not touch the product's housing when operating because it may be very hot.
  
- The maximum ambient temperature is 104 °F (40 °C). Do not operate this product at higher temperatures.



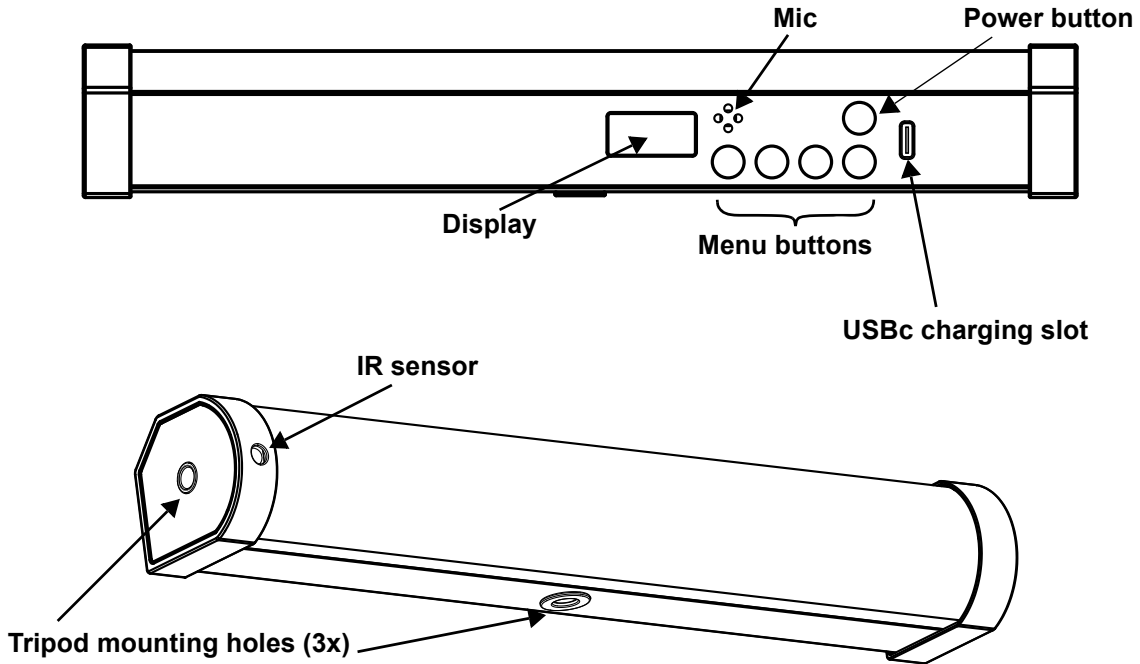
- In the event of a serious operating problem, stop using the product immediately.
- Do not open this product. It contains no user-serviceable parts.
- To eliminate unnecessary wear and improve its lifespan, during periods of non-use completely disconnect the product from power via breaker or by unplugging it.



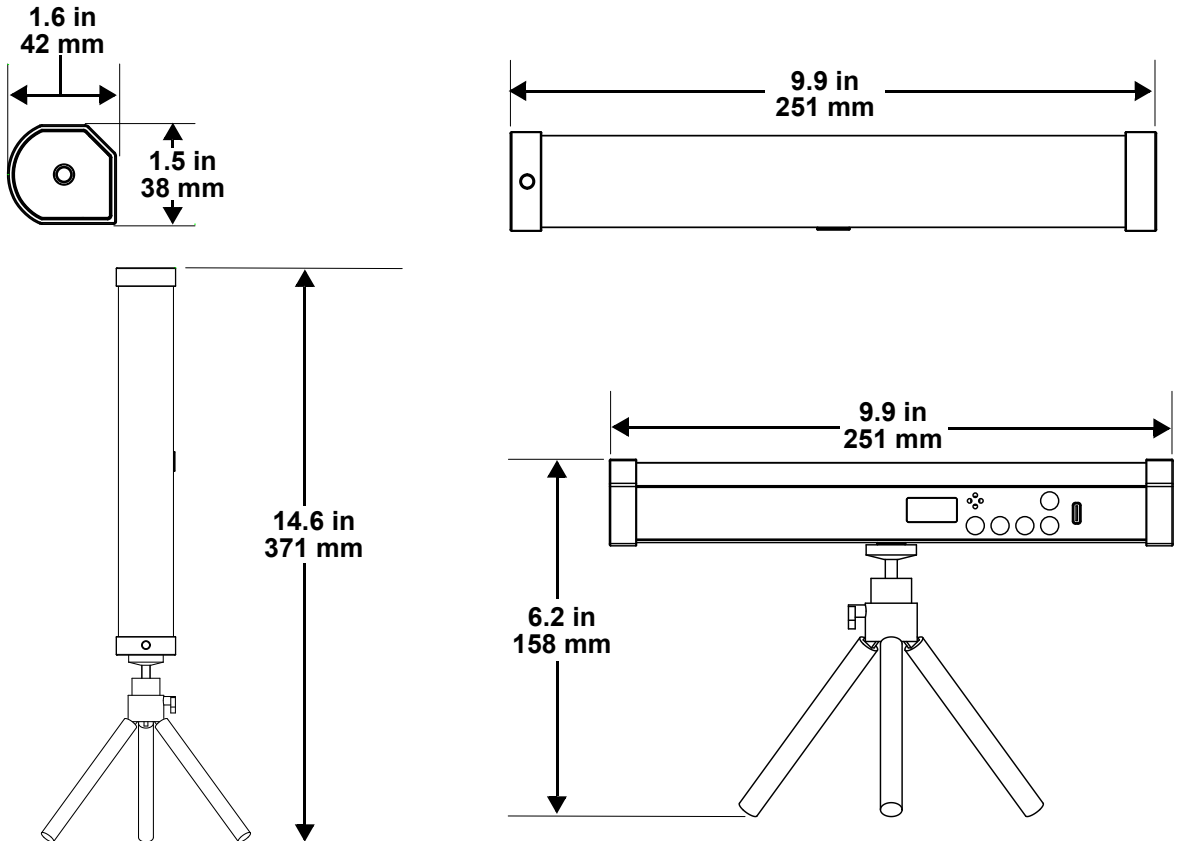
Keep this User Manual for future use. If the product is sold to someone else, be sure that they also receive this document.

## 2. Introduction

### Product Overview



### Product Dimensions



### 3. Setup

#### DC Power

The Cast Tube comes with a rechargeable lithium-ion battery that can be charged using the included type-c charging cable.

Recharge Time	Runtime
1.78 hours	~ 2 hours, 35 minutes



- To turn the product On, press the Power button for 4 seconds and wait until the display spells out “CHAUVET” and the menu map appears.
- To turn the product Off, press the Power button for 2 seconds.
- To set the product on Standby mode, press the Power button for 1 second. To go back to the menu map from Standby mode, press the Power button for 1 second.

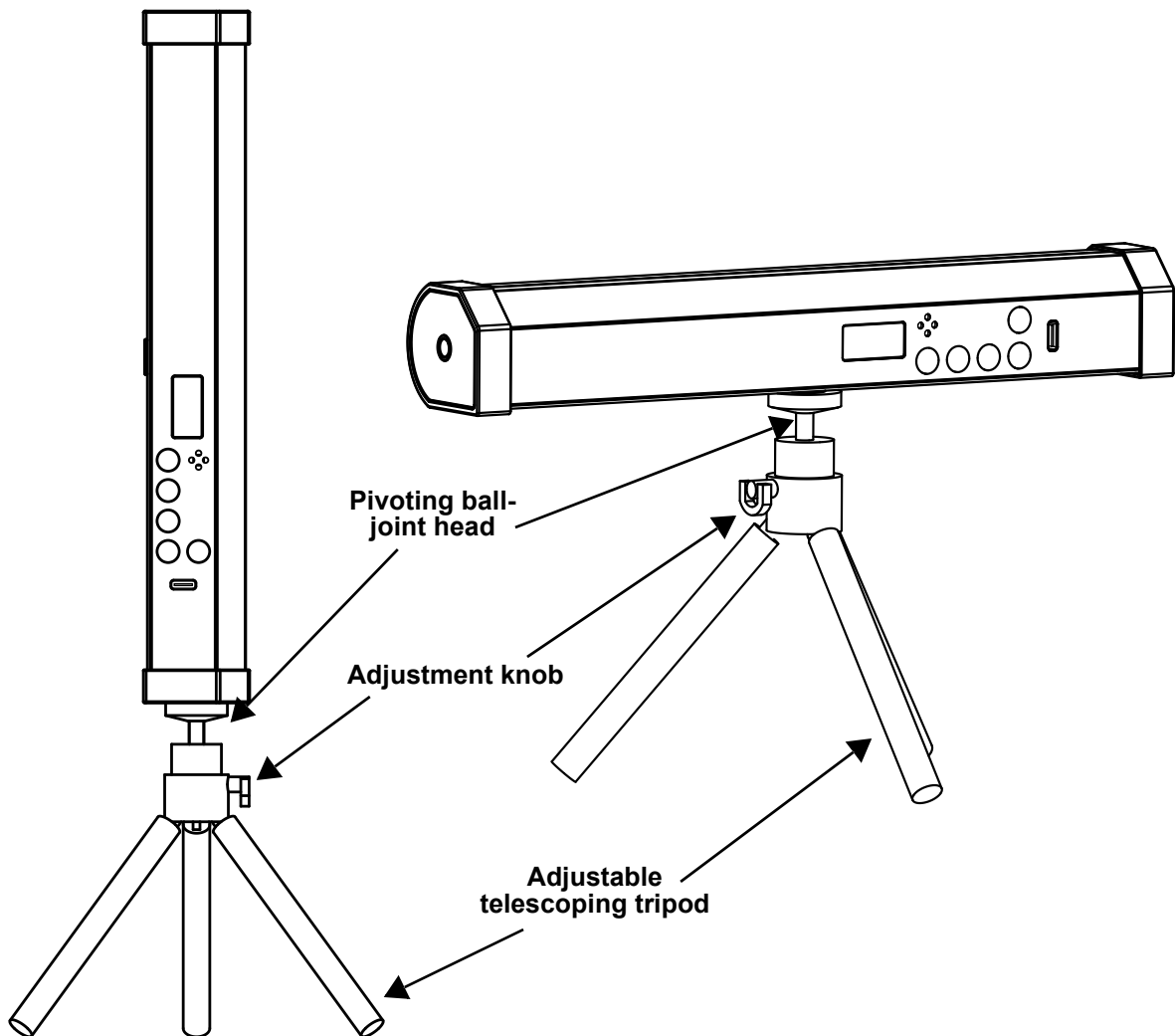
#### Mounting

Before mounting the product, read and follow the safety recommendations indicated in the [Safety Notes](#).

#### Orientation

The Cast Tube may be mounted in any position; however, make sure adequate ventilation is provided around the product.

#### Mounting Diagram



## 4. Operation

### Control Panel Operation

To access the control panel functions, use the four buttons located underneath the display. Refer to the [Product Overview](#) to see the button locations on the control panel.

Button	Function
<MODE>	Exits from the current menu or function
<+>	Navigates upwards through the menu list or increases a selected numeric value
<->	Navigates downwards through the menu list or decreases a selected numeric value
<ENTER>	Enables the currently displayed menu or sets a selected value into the selected function

### Menu Map

Refer to the Cast Tube product page on [www.chauvetdj.com](http://www.chauvetdj.com) for the latest menu map.

Programming Levels		Description	
Static	Fixed color	<b>R</b>	Red
		<b>G</b>	Green
		<b>B</b>	Blue
		<b>W</b>	White
		<b>GB</b>	Green + blue
		<b>RB</b>	Red + blue
		<b>RG</b>	Red + green
		<b>RGB</b>	Red + green + blue
		<b>RW</b>	Red + white
		<b>GW</b>	Green + white
		<b>BW</b>	Blue + white
		<b>RGW</b>	Red + green + white
		<b>RBW</b>	Red + blue + white
	<b>GBW</b>	Green + blue + white	
	<b>RGBW</b>	Red + green + blue + white	
	Color temperature	<b>2700K</b>	Selects the preset color temperature
		<b>2800K</b>	
		<b>3000K</b>	
		<b>3200K</b>	
		<b>3500K</b>	
		<b>4000K</b>	
		<b>4500K</b>	
		<b>5000K</b>	
<b>5600K</b>			
<b>6000K</b>			
<b>6500K</b>			
<b>7000K</b>			
<b>7200K</b>			
Auto show	<b>Auto 1</b>	Automatic program 1 (4-color fade)	
	<b>Auto 2</b>	Automatic program 2 (4-color pulse)	
	<b>Auto 3</b>	Automatic program 3 (15-color fade)	
	<b>Auto 4</b>	Automatic program 4 (15-color pulse)	
Program speed	<b>001–100</b>	Program speed for automatic programs 1–4	
Sound mode	<b>Sound 1</b>	Sound program 1 (4-color fade)	
	<b>Sound 2</b>	Sound program 2 (4-color pulse)	
	<b>Sound 3</b>	Sound program 3 (15-color fade)	
	<b>Sound 4</b>	Sound program 4 (15-color pulse)	

Programming Levels		Description
Sound sensitivity	001–100	Sound sensitivity for sound programs 1–4
Manual Mode	Red	000–255 Manually adjust each color values to create a specific color
	Green	
	Blue	
	White	
Strobe rate	000–100	Adjusts strobe rate, slow to fast
Master dimmer	000–255	Adjusts the brightness of static and automatic programs
IR setting	On	Turns infrared function on (to use with the IRC remote)
	Off	Turns infrared function off

## Configuration

Refer to the instructions below on how to access the different function available for the Cast Tube:

### Static Color Mode

To run the Cast Tube on a static color, follow the instructions below.

1. Press **<MODE>** repeatedly until **Static** shows on the display.
2. Press **<ENTER>**.
3. Use **<+>** or **<->** to choose between **Fixed Color** (to select an individual RGBW color or any preset RGBW color combinations) and **Color Temperature** (to select a preset color temperature).
4. Press **<ENTER>**.
5. Press **<MODE>** to go back to the main menu.

### Automatic Program

To run a program on the Cast Tube, follow the instructions below.

1. Press **<MODE>** repeatedly until **Auto Show** shows on the display.
2. Press **<ENTER>**.
3. Use **<+>** or **<->** to select from automatic programs: **Auto 1** (4-color fade), **Auto 2** (4-color pulse), **Auto 3** (15-color fade), or **Auto 4** (15-color pulse).
4. Press **<ENTER>**.
5. Press **<MODE>** to go back to the main menu.

### Auto Program Speed

To adjust the auto program speed on the Cast Tube, do the following:

1. Press **<MODE>** repeatedly until **Program Speed** shows on the display.
2. Use **<+>** or **<->** to increase or decrease the program speed, from **001–100**.
3. Press **<ENTER>**.
4. Press **<MODE>** to go back to the main menu.

### Sound Mode

To set the Cast Tube to work on sound mode, do the following:

1. Press **<MODE>** repeatedly until **Sound Mode** shows on the display.
2. Press **<ENTER>**.
3. Use **<+>** or **<->** to select from sound programs: **Sound 1** (4-color fade), **Sound 2** (4-color pulse), **Sound 3** (15-color fade), or **Sound 4** (15-color pulse).
4. Press **<ENTER>**.
5. Press **<MODE>** to go back to the main menu.

### Sound Sensitivity

To adjust the sound sensitivity of the Cast Tube, follow the instructions below:

1. Press **<MODE>** repeatedly until **Sound Sensitivity** shows on the display.
2. Use **<+>** or **<->** to increase or decrease the sound sensitivity, from **001–100**.
3. Press **<ENTER>**.
4. Press **<MODE>** to go back to the main menu.



## Operation

---

### Custom Color Mixing

To mix a custom color on the Cast Tube, do the following:

1. Press **<MODE>** repeatedly until **Manual Mode** shows on the display.
2. Press **<ENTER>** and one of the following will show on the display:
  - **R: \_\_\_\_** (red)
  - **G: \_\_\_\_** (green)
  - **B: \_\_\_\_** (blue)
  - **W: \_\_\_\_** (white)
3. Press **<+>** or **<->** to cycle through the options.
4. Press **<ENTER>** to select a color.
5. Use **<+>** or **<->** to increase or decrease the selected value, from **000–255**.
6. Repeat steps 3 to 5 until the color is set as desired.
7. Press **<MODE>** to go back to the main menu.

### Strobe

To adjust the strobe rate on the Cast Tube, do the following:

1. Press **<MODE>** repeatedly until **Strobe Rate** shows on the display.
2. Press **<ENTER>**.
3. Use **<+>** or **<->** to set the strobe rate, from **000–100**.
4. Press **<ENTER>**.
5. Press **<MODE>** to go back to the main menu.

### Dimmer

To set the dimmer value on the Cast Tube, follow the instructions below:

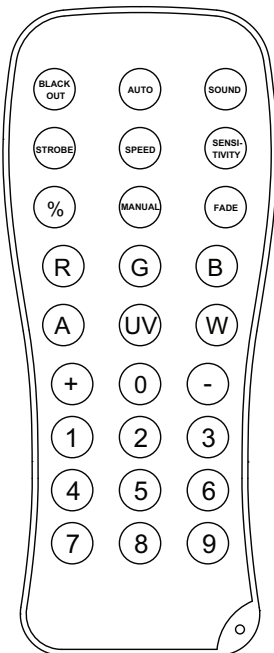
1. Press **<MODE>** repeatedly until **Master Dimmer** shows on the display.
2. Press **<ENTER>**.
3. Use **<+>** or **<->** to set the dimmer, from **000–255**.
4. Press **<ENTER>**.
5. Press **<MODE>** to go back to the main menu.

### IRC-6 Control

The Cast Tube is compatible with the IRC-6 remote from Chauvet. To set the Cast Tube to IR mode, follow the instructions below:

1. Press **<MODE>** repeatedly until **IR Setting** shows on the display.
2. Press **<ENTER>**.
3. Use **<+>** or **<->** to select between **On** (activates infrared function) and **Off** (deactivates infrared function).
4. Press **<ENTER>**.
5. Press **<MODE>** to go back to the main menu.

### IRC-6 Operation



BLACK OUT	Turns LEDs off/on
AUTO	Enables automatic programs (Use <b>&lt;+&gt;</b> and <b>&lt;-&gt;</b> to choose program)
SPEED	Adjusts speed of auto programs (Use <b>&lt;+&gt;</b> and <b>&lt;-&gt;</b> to set speed)
SOUND	Enables Sound-Active mode
SENSITIVITY	Adjusts sound sensitivity in Sound-Active mode (Use <b>&lt;+&gt;</b> and <b>&lt;-&gt;</b> to set sound sensitivity)
MANUAL	Choose a specific static color or color temperature ( <b>&lt;0&gt;</b> to <b>&lt;9&gt;</b> )
STROBE	Adjusts the strobe rate (Use <b>&lt;+&gt;</b> and <b>&lt;-&gt;</b> to set strobe rate)
FADE	Choose among fade auto program options
%	Adjusts the dimmer (Use <b>&lt;+&gt;</b> and <b>&lt;-&gt;</b> to set the dimmer)
0	Preset color temperature starts at 4000K
1	2700K white
2	3200K white
3	3500K white
4	4000K white
5	5600K white
6	6000K white
7	6500K white
8	7000K white
9	7200K white

## 5. Maintenance

### Product Maintenance

Dust build-up reduces light output performance and can cause overheating. This can lead to reduction of the light source's life and/or mechanical wear. To maintain optimum performance and minimize wear, clean your lighting products at least twice a month. However, be aware that usage and environmental conditions could be contributing factors to increase the cleaning frequency.

To clean the product, follow the instructions below:

1. Unplug the product from the charger.
2. Wait until the product is at room temperature.
3. Use a vacuum (or dry compressed air) and a soft brush to remove dust collected on the external surface/vents.
4. Clean all transparent surfaces with a mild soap solution, ammonia-free glass cleaner, or isopropyl alcohol.
5. Apply the solution directly to a soft, lint-free cotton cloth or a lens-cleaning tissue.
6. Softly drag any dirt or grime to the outside of the transparent surface.
7. Gently polish the transparent surfaces until they are free of haze and lint.



**Always dry the transparent surfaces carefully after cleaning them.**

## 6. Technical Specifications

### Dimensions and Weight

Length	Width	Height	Stand Height	Weight
9.80 in (250 mm)	1.65 in (42 mm)	1.50 in (38 mm)	5.16 to 7.08 in (131 to 180 mm)	0.6 lb (0.27 kg)

	Carry Bag Length	Carry Bag Width	Carry Bag Height	Weight
Internal	10.90 in (278 mm)	4.90 in (126 mm)	1.57 in (40 mm)	0.4 lb (0.2 kg)
External	11.14 in (283 mm)	5.31 in (135 mm)	2.83 in (72 mm)	

**Note:** Dimensions in inches are rounded.

### Battery

Parameter	Value
Battery type	Rechargeable lithium ion
Battery voltage	3.7 VDC
Battery capacity	2600 mAh
Recharge time	1.78 hours
Runtime	~ 2 hours, 35 minutes

### Light Source

Type	Color	Quantity	Input Voltage	Color Temperature	Lifespan
LED	Quad-color RGBW	166	3.7 VDC	2700K to 7200K	50,000 hours

### Photometrics

Coverage Angle	Lumens
110°	40 lux

### Thermal

Maximum External Temp.	Cooling
104 °F (40 °C)	Convection

### Ordering

Product Name	Item Code	UPC Number
Cast Tube	10031898	781462222468



# Returns

In case you need to get support or return a product:

- If you are located in the U.S., contact Chauvet World Headquarters.
- If you are located in the U.K. or Ireland, contact Chauvet Europe Ltd.
- If you are located in Benelux, contact Chauvet Europe BVBA.
- If you are located in France, contact Chauvet France.
- If you are located in Germany, contact Chauvet Germany.
- If you are located in Mexico, contact Chauvet Mexico.
- If you are located in any other country, DO NOT contact Chauvet. Instead, contact your local distributor. See [www.chauvetdj.com](http://www.chauvetdj.com) for distributors outside the U.S., U.K., Ireland, Benelux, France, Germany, or Mexico.



**If you are located outside the U.S., U.K., Ireland, Benelux, France, Germany, or Mexico, contact your distributor of record and follow their instructions on how to return Chauvet products to them. Visit our website [www.chauvetdj.com](http://www.chauvetdj.com) for contact details.**

Call the corresponding Chauvet Technical Support office and request a Return Merchandise Authorization (RMA) number before shipping the product. Be prepared to provide the model number, serial number, and a brief description of the cause for the return.

To submit a service request online, go to [www.chauvetdj.com/service-request](http://www.chauvetdj.com/service-request).

Send the merchandise prepaid, in its original box, and with its original packing and accessories. Chauvet will not issue call tags.

Clearly label the package with the RMA number. Chauvet will refuse any product returned without an RMA number.



**Write the RMA number on a properly affixed label. DO NOT write the RMA number directly on the box.**

Before sending the product, clearly write the following information on a piece of paper and place it inside the box:

- Your name
- Your address
- Your phone number
- RMA number
- A brief description of the problem

Be sure to pack the product properly. Any shipping damage resulting from inadequate packaging will be your responsibility. FedEx packing or double-boxing are recommended.



**Chauvet reserves the right to use its own discretion to repair or replace returned product(s).**

## Contact Us

General Information	Technical Support
<b>Chauvet World Headquarters</b>	
Address: 5200 NW 108th Ave. Sunrise, FL 33351 Voice: (954) 577-4455 Fax: (954) 929-5560 Toll Free: (800) 762-1084	Voice: (844) 393-7575 Fax: (954) 756-8015 Email: <a href="mailto:chauvetcs@chauvetlighting.com">chauvetcs@chauvetlighting.com</a> Website: <a href="http://www.chauvetdj.com">www.chauvetdj.com</a>
<b>Chauvet Europe Ltd</b>	
Address: Unit 1C Brookhill Road Industrial Estate Pinxton, Nottingham, UK NG16 6NT Voice: +44 (0) 1773 511115 Fax: +44 (0) 1773 511110	Email: <a href="mailto:UKtech@chauvetlighting.eu">UKtech@chauvetlighting.eu</a> Website: <a href="http://www.chauvetdj.eu">www.chauvetdj.eu</a>
<b>Chauvet Europe BVBA</b>	
Address: Stokstraat 18 9770 Kruishoutem Belgium Voice: +32 9 388 93 97	Email: <a href="mailto:BNLtech@chauvetlighting.eu">BNLtech@chauvetlighting.eu</a> Website: <a href="http://www.chauvetdj.eu">www.chauvetdj.eu</a>
<b>Chauvet France</b>	
Address: 3, Rue Ampère 91380 Chilly-Mazarin France Voice: +33 1 78 85 33 59	Email: <a href="mailto:FRtech@chauvetlighting.fr">FRtech@chauvetlighting.fr</a> Website: <a href="http://www.chauvetdj.eu">www.chauvetdj.eu</a>
<b>Chauvet Germany</b>	
Address: Bruno-Bürgel-Str. 11 28759 Bremen Germany Voice: +49 421 62 60 20	Email: <a href="mailto:DEtech@chauvetlighting.de">DEtech@chauvetlighting.de</a> Website: <a href="http://www.chauvetdj.eu">www.chauvetdj.eu</a>
<b>Chauvet Mexico</b>	
Address: Av. de las Partidas 34 - 3B (Entrance by Calle 2) Zona Industrial Lerma Lerma, Edo. de México, CP 52000 Voice: +52 (728) 690-2010	Email: <a href="mailto:servicio@chauvet.com.mx">servicio@chauvet.com.mx</a> Website: <a href="http://www.chauvetdj.mx">www.chauvetdj.mx</a>

Visit the applicable website above to verify our contact information and instructions to request support. Outside the U.S., U.K., Ireland, Mexico, France, Germany, or Benelux, contact the dealer of record.