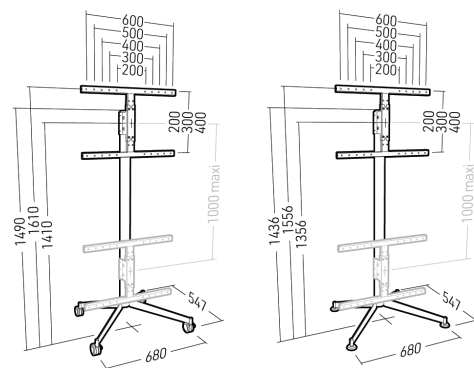
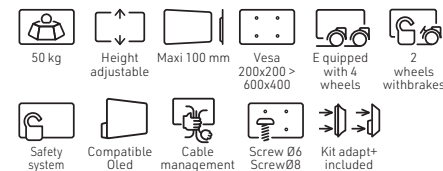


# KANA1600XXL

Ref **039260** - Metal EAN 318528039260 5  
 Ref **039360** - Wood EAN 318528039360 2

MOBILE OR FIXED TV STAND FOR SCREENS FROM 40" TO 80"

**XXL** 40"-80"  
101 - 203 cm

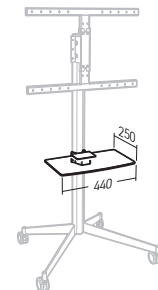


# KANA'S ACCESSORIES

KANA Shelf Ref **039290** EAN 318528 039290 2 AV DEVICE SHELF FOR THE KANA TV STAND



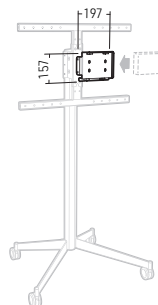
- Height adjustable.
- Tempered glass shelf, thickness of 6mm
- Shelf dimensions : 438 x 240
- Thickness of fixing block : 56 mm



KANA Player Ref **039291** EAN 318528 039291 9 BRACKET TO HOLD A PERIPHERAL DEVICE (AT REAR OF SCREEN) FOR THE KANA TV STAND



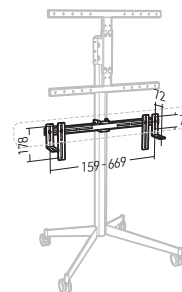
- Steel of 1.5 mm thickness, black epoxy paint
- Media player is held in place by 2 elastic cords
- Reversible right - left : Yes
- Dimensions of player (HxLxD) : 204 x 163 x 49 mm



KANA Sound Ref **039289** EAN 318528 039289 6 UNIVERSAL SOUNDBAR MOUNT FOR THE KANA TV STAND



- Installation on the column, height of mount can be freely chosen
- 2 possibilities to fix the soundbar : at the rear or on the brackets
- Max weight of the soundbar : 7kg
- Depth of the brackets : 83 mm



## ERARD®

ACCESSOIRES ESSENTIELS  
POUR MATÉRIELS AUDIO VIDÉO

infos@erard.fr - www.erard.com - +33 (0)4 72 46 16 26

N° intracommunautaire : FR 81 403 591 415

Z.I. de Chavanoz 4 route de la Plaine 38230 CHAVANOZ FRANCE



# KANA

And anything becomes possible !



KANA1600XXL



KANA1400XL with KANA Shelf



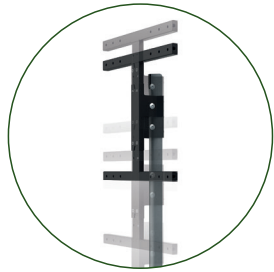
# KANA, and anything becomes possible !

- Supplied with 4 multidirectional castors and 4 fixed feet
- Nylon castors of 65 mm diameter, with elastomer tread and polypropylene (PP) fixed feet of 57 mm diameter, height-adjustable
- Wood Column : of 52 mm thickness, glued beechwood panel of 52 mm thickness, polyurethane varnish, colour : light oak
- Metal Column : Steel of 5 mm thickness, ultra-matte polyester paint, colour: cast-iron grey
- Base (legs) : Steel of 6 mm thickness, black epoxy paint
- Adjustable screen height along the entire length of the column
- Cable management behind the column, (full-height cable passages)
- Compatible with all screen types (LCD, LED, QLED, OLED, miniLED)

**+** Universal TV stand that adapts to every kind of use and to all surroundings. Compatible with all types of screen.



Cable management within the column (full-height cable passages)



Great amplitude for adjustment of the screen height



Beautiful quality of finish, textured epoxy paint



Compatible with all screen types (LCD/LED/miniLed/OLED)



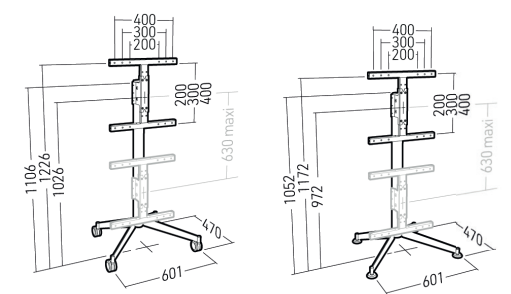
Supplied with caster wheels and fixed feet

## KANA1200L

Ref	039220 - Metal	EAN	318528 039220 9
Ref	039320 - Wood	EAN	318528 039320 6

**L** 30"-55" / 76 - 140 cm

- 30 kg
- Height adjustable
- Maxi 100 mm
- Vesa 200x200 > 400x400
- Equipped with 4 wheels
- Safety system
- Compatible Oled
- Cable management
- Screw Ø6 ScrewØ8
- Kit adapt+ included



MOBILE OR FIXED TV STAND FOR SCREENS FROM 30" TO 55"

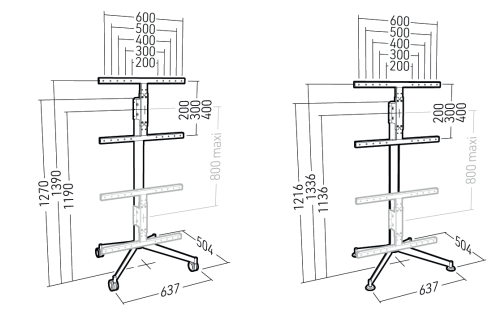


## KANA1400XL

Ref	039240 - Metal	EAN	3 18528 039240 7
Ref	039340 - Wood	EAN	3 18528 039340 4

**XXL** 40"-80" / 101 - 203 cm

- 50 kg
- Height adjustable
- Maxi 100 mm
- Vesa 200x200 > 600x400
- Equipped with 4 wheels
- Safety system
- Compatible Oled
- Cable management
- Screw Ø6 ScrewØ8
- Kit adapt+ included



MOBILE OR FIXED TV STAND FOR SCREENS FROM 40" TO 80"



KANA1200L



KANA1400XL