



K-WALL2

USER GUIDE English

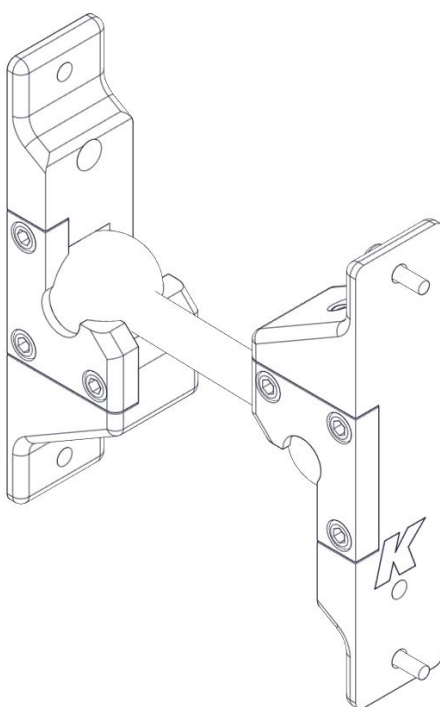
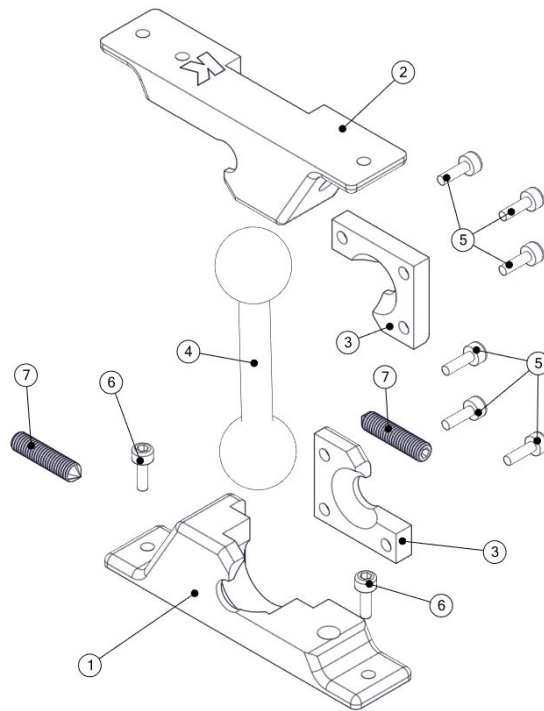


TABLE OF CONTENTS

- 1. K-WALL2
 - 1.1 Packaging.....3
 - 1.2 Safety Precautions.....3
- 2. PSYSICAL.....4
- 3. INTRODUCTION.....6
- 4. ASSEMBLY6
 - 4.1 Configuration Assembly.....6
- 5. WALL GUIDE TEMPLATE.....9
- 6.DECLARATION OF CONFORMITY.....10

1.1 PACKAGING

Please verify the shipment for completeness and proper condition of the items.



ID	Description	Q.ty
1	Wall Bracket	1
2	Speaker Bracket	1
3	Support	2
4	Rotation Pivot	1
5	M5 x 12 Bottom Head Hex Socket Screw	6
6	M5 x 14 Bottom Head Hex Socket Screw	2
7	M8 x 35 Gub Screw	2

1.2 SAFETY PRECAUTIONS

Installation and setup should only be carried out by qualified personal.

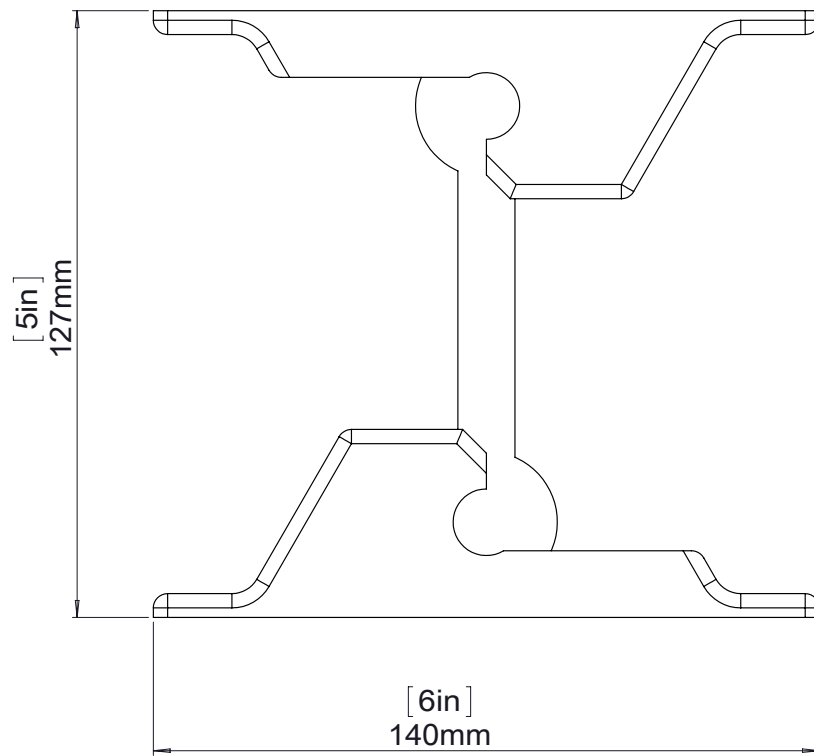
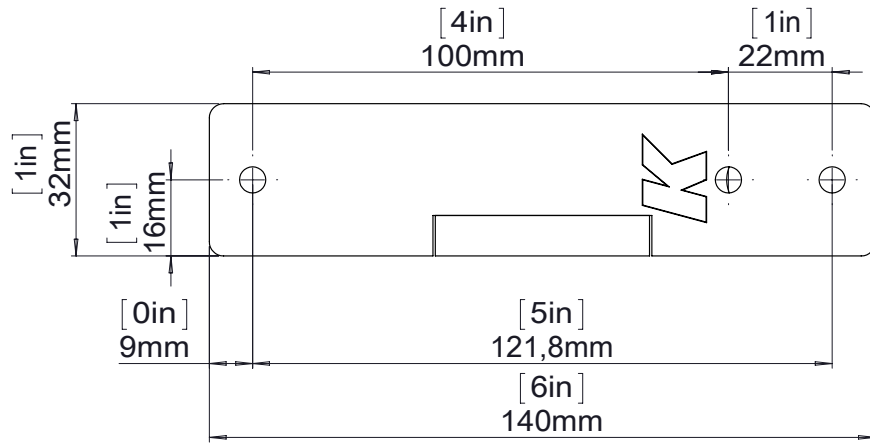
It is the responsibility of the person installing the assembly to ensure that the suspension/fixing points are suitable for the intended use.

Always carry out a visual and functional inspection of the items before use. In case there is any doubt as to the proper functioning and safety of the items, these must be withdrawn from use immediately.

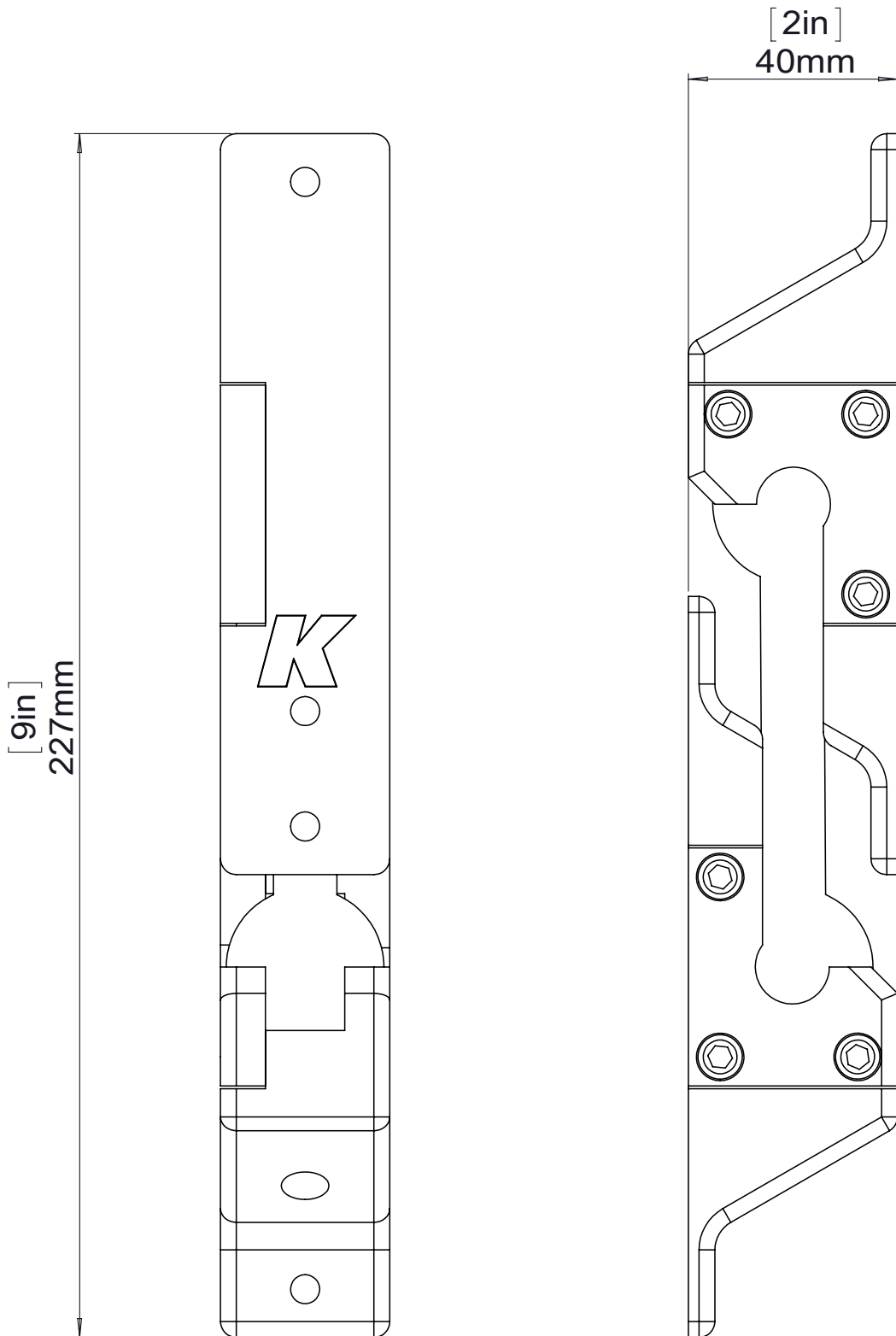
Only use mounting parts (fixing anchors and screws) that are suitable for the intended application.

Before mounting the K-WALL2L on any K-array speaker, please read carefully the speaker's User Guide for checking the fixing points and the available configurations.

2. PSYSICAL

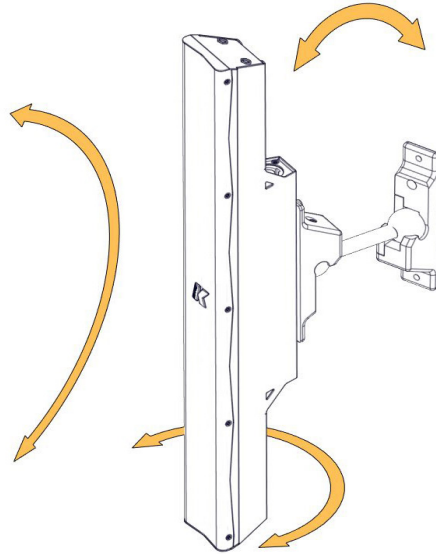


Weight: 0,6 kg (1,3 lb)



3. INTRODUCTION

K-WALL2 are specifically used for wall installations of K-array speakers, which can be set in 3D direction (please check the speaker positions in the user manual).

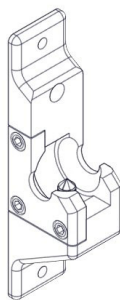


NOTE: The KK52 Speaker shown in these pages is used for illustrative purposes. Please refer to your speaker's user guide for checking the fixing points and the available configurations.

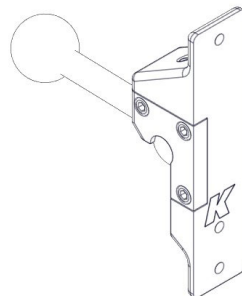
4. ASSEMBLY

4.1 CONFIGURATION ASSEMBLY

In the packaging box you will find speaker bracket and wall brackets separated as picture below.

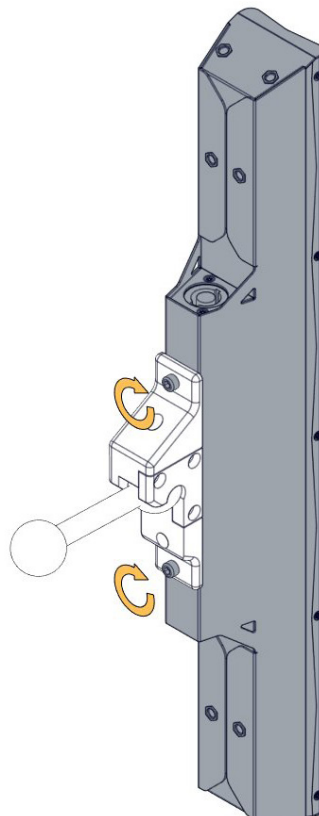
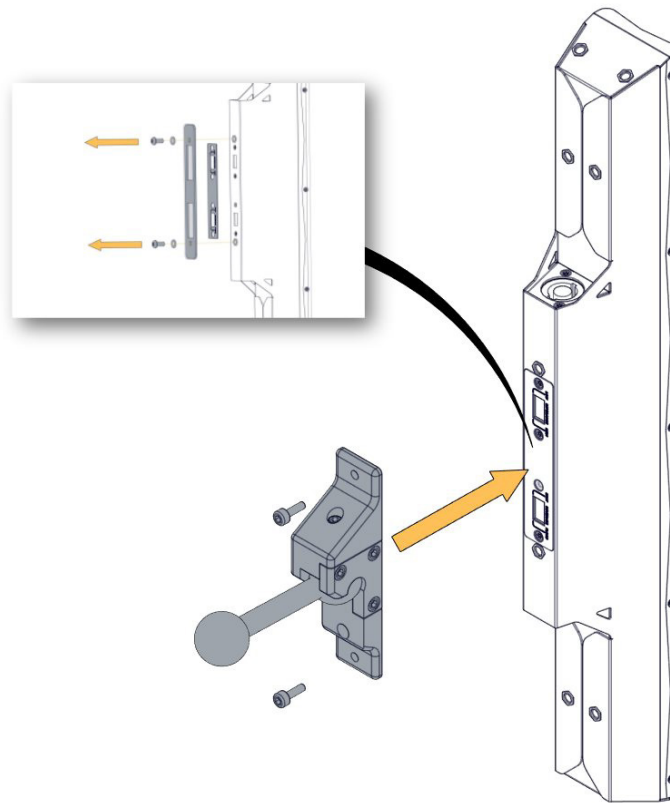


Wall Bracket

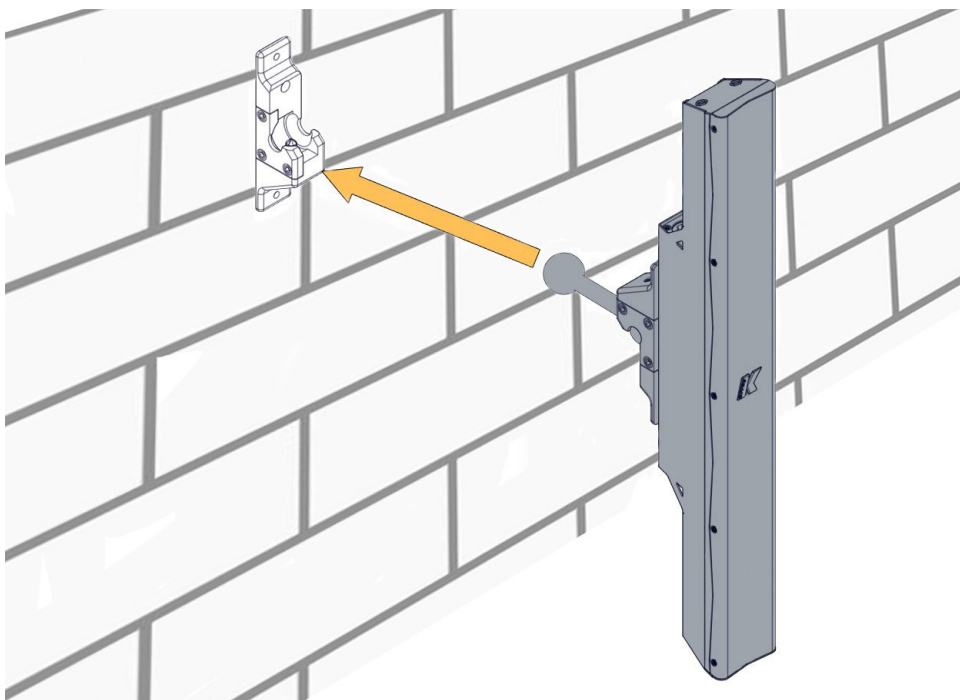


Speaker Bracket

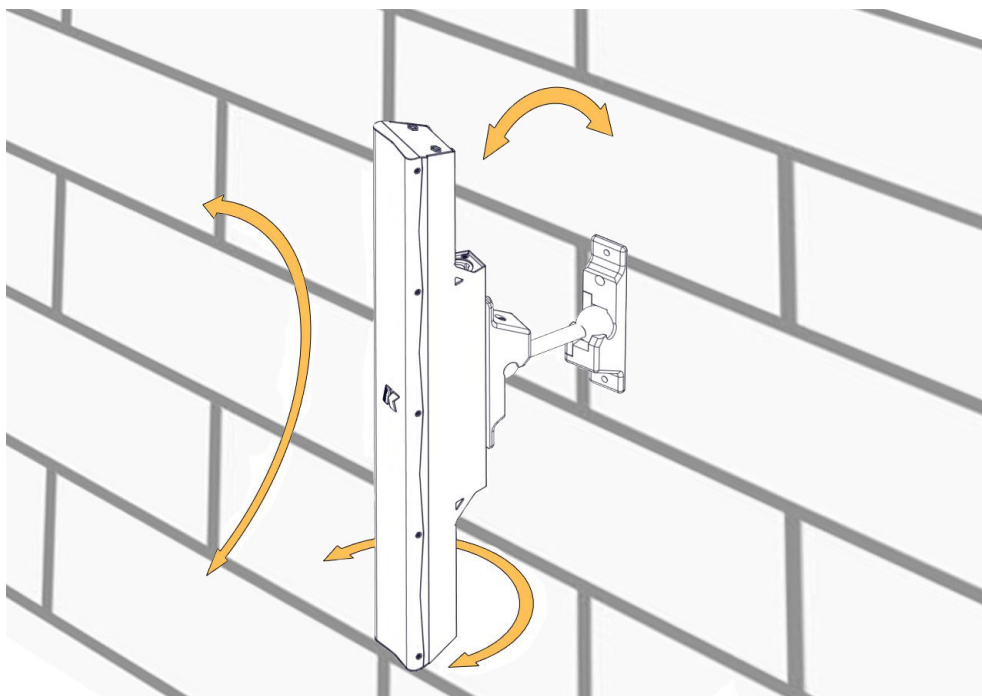
1. Assembly speaker braked to K-array speaker make sure screw are tightened correctly as picture below.e K-array.

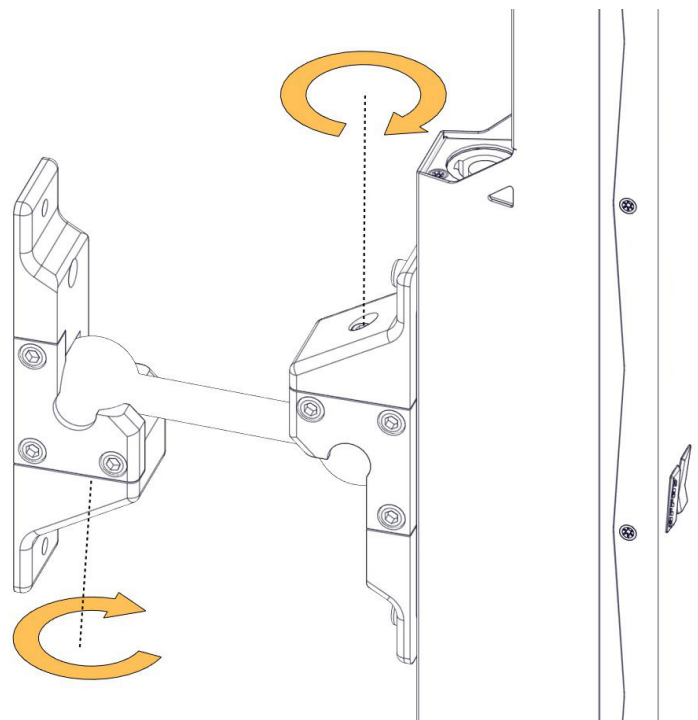
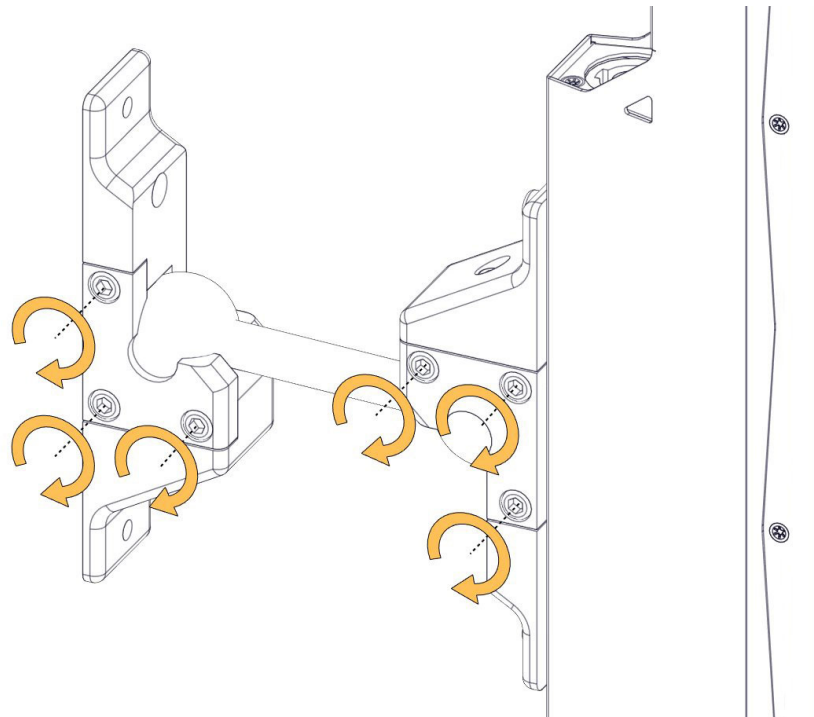


2. Fix wall bracket and then insert speaker bracket.



1. Position the device as required by user, always check configurations in user manual.

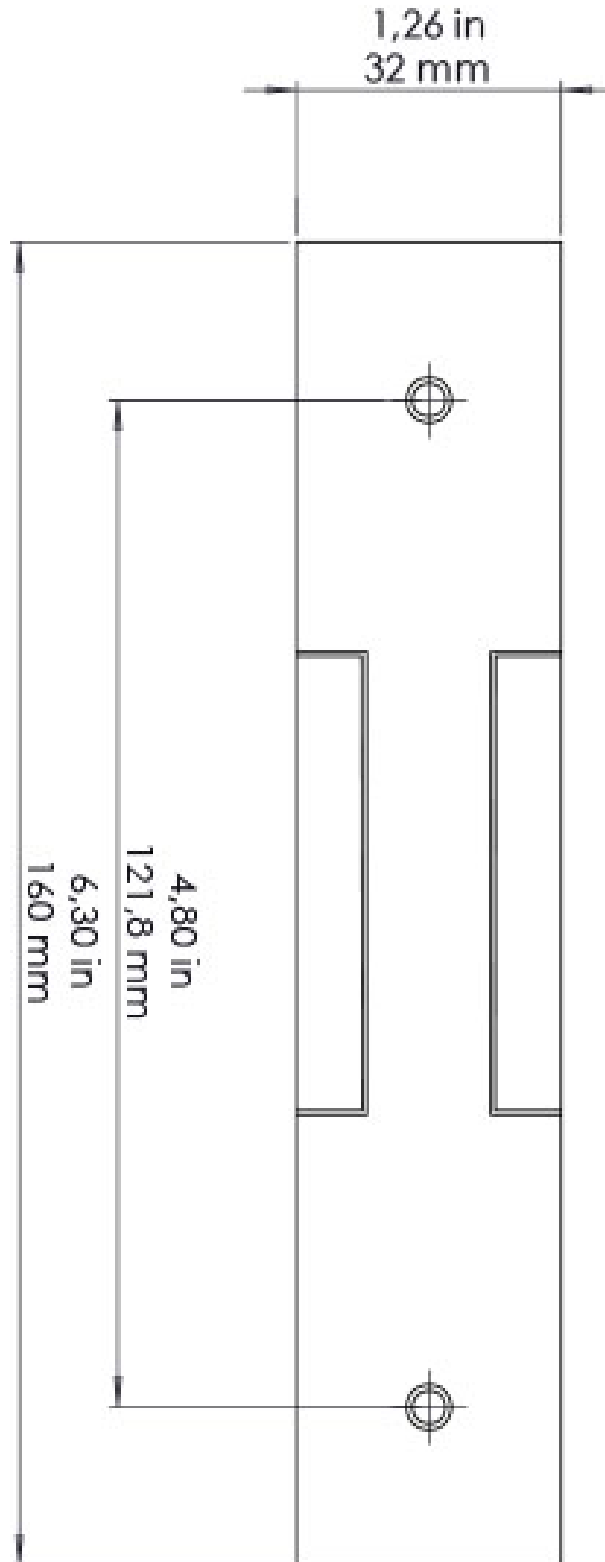




WARNING
Before Installation, check configuration in the speaker manual on website www.k-array.com



5. WALL GUIDE TEMPLATE



6. DECLARATION OF CONFORMITY



DECLARATION OF CONFORMITY

Manufacturer/Importer: K-array s.u.r.l.

Brand: K-ARRAY
Address: via Paolina Romagnoli 17 50037 S. Piero a Sieve Firenze ITALY

Date of Issue: 14 / 03 / 12

Model Code: K-KWALL2L

Declaration: Complies with safety essential requirements of Council Directive 2006/42/EC on the approximation of the Laws of the Member States relating to lifting of groups of Cases.

This declaration applies to all specimens manufactured in accordance with the attached manufacturing drawings which form part of this declaration. Assessment of compliance of the product with the requirements was based on the following standards:

EN 13155:2009

Marking:



Applying Year: 2012

Applied by: K-array s.u.r.l.
 Via Paolina Romagnoli 17
 50037 S. Piero a Sieve
 Firenze Italy
 Tel. +39 055 8487222
 Fax +39 055 8487238

Signed by: **Franco Spataro**
 Technical Manager

K-array s.r.l. a socio unico società soggetta alla attività di direzione e coordinamento di HP Sound Equipment srl
 P. IVA / VAT / CF 06206990480 - R.E.A. 609589 Cap. soc. i.v. € 100.000,00

Sede legale: via Paolina Romagnoli 50037 San Piero a Sieve - Firenze - ITALY tel +39 055 8487222 fax +39 055 8487238 info@k-array.com www.k-array.com

The contents of this manual are furnished for informational purposes only. K-array s.u.r.l. assumes no responsibility for any errors or inaccuracies that may appear in this manual. K-array s.u.r.l. reserves the right to make modifications without prior notice.