

GP1812A - GP1812

18" Active/Passive Subwoofers + 12" Coaxial Array Element System




Heavy duty active 18" powered subwoofer combined with 12" coaxial, high efficiency passive element featuring SAT® technology by K-array™.

The GP1812A active system can drive a GP1812 passive system in a stereo configuration. GP1812A features Powersoft™ DSP and power module with Ethernet remote control through the Armonia™ control software.

Designed for high performance outdoor/indoor applications both for rental and permanent installations for touring, live bands, auditorium, and clubs.

High performance to size/weight ratio featuring easy and fast setup possibility.

Frequent Applications	
Parties	Karaoke
Private events	DJ set
Corporate events	Weddings

Handling & Finishes	
Dimensions (WxHxD)	545 x 1690 (min) x 600 mm (21,46 x 66,54 x 23,6 in)
Weight	52 kg (114,64 lb)
Material	Subwoofer: Birch Plywood Satellite: Stainless steel
Color	Black 

GP1812A

Powered 18" Sub 12" Coaxial Array Element

General	
Type	Powered Sub + Satellite system
Transducers	SUB: 18" woofer TOP: 12" coaxial woofer 1" compression driver
Frequency Response	30 Hz - 20 kHz (-6dB)
Max SPL ¹	129 dB
Coverage	V. 30° H. 90°
Amp Module	4-channel Class-D
Output Power	4x 1500 W @ 4 Ω
Power Consumption	500W Rated Load (1/8 Max Output Power)
Operating Voltage	100-240V AC, 50-60 Hz
DSP features	Remote control and tuning Input and Output Delay Parametric input EQ Output parametric filters
Connectors	RJ45 for remote control 2x Combo XLR Input 2x SpeakON Output 1x PowerCon True AC MAINS
Controls	Volume potentiometer Preset selector Remote control through Powersoft ArmoniaPlus Software

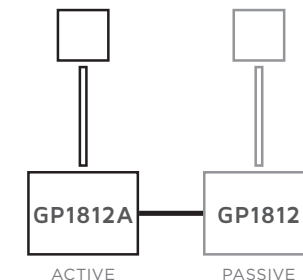
¹ Maximum SPL is calculated using a signal with crest factor 4 (12dB) measured at 1 m.

GP1812

Passive 18" Sub 12" Coaxial Array Element

General	
Type	Passive Sub + Satellite system
Transducers	SUB: 18" woofer TOP: 12" coaxial woofer 1" compression driver
Frequency Response	30 Hz - 20 kHz (-6dB)
Max SPL ¹	129 dB
Coverage	V. 30° H. 90°
Power Handling	SUB: 700W TOP: 200W
Nominal Impedance	8Ω (sub) + 32 Ω (satellite)
Connectors	2x SpeakON (paralleled) SUB 2+/2- TOP: 1+/1-

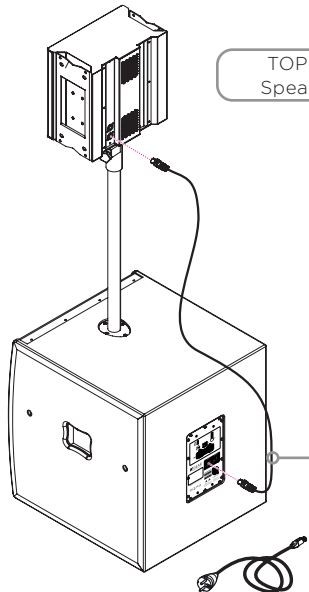
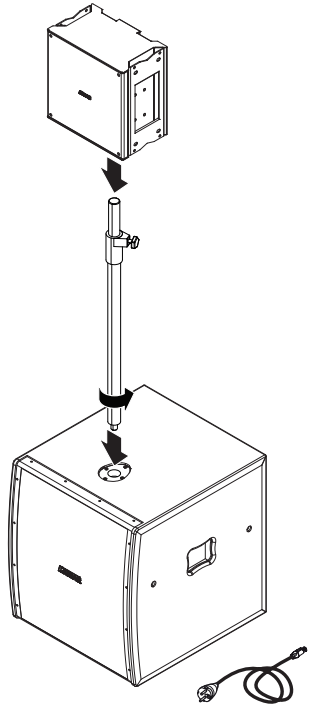
¹ Maximum SPL is calculated using a signal with crest factor 4 (12dB) measured at 1 m.



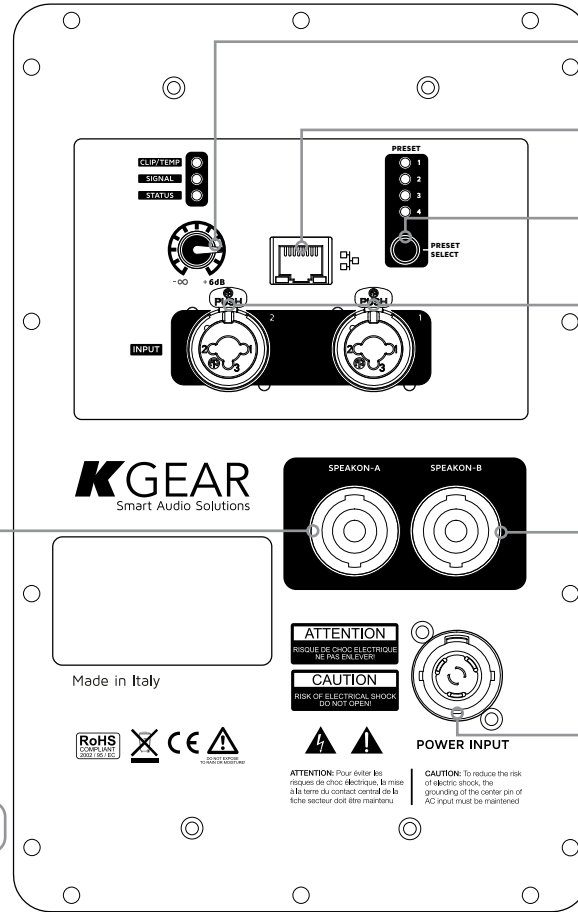
User Tip:
optimize the cost and combine the active and passive systems whether it is for stereo configurations or if you prefer to extend the cluster.

Assembly

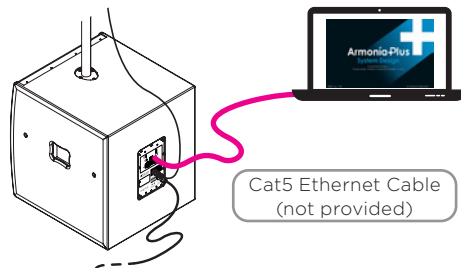
GP1812A rear panel



TOP Speaker
SpeakON port



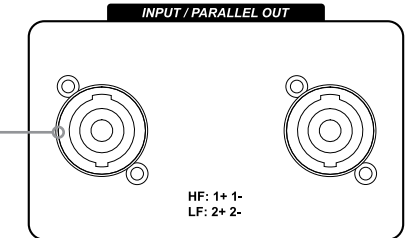
*ArmoniaPlus is the software for fine tuning and monitoring the GP18A loudspeakers system. Download ArmoniaPlus from Powersoft website:
<https://www.powersoft.com/en/software/armoniaplus-2-0>



Cat5 Ethernet Cable
(not provided)

#	Preset Name
1	KGear optimized
2	Linear response
3	Subwoofer boost
4	Mid-high boost
Default	KGear optimized

GP1812 rear panel



NL4 SpeakOn wiring:
TOP Column: 1+ / 1-
SUB: 2+ / 2-

