

Truffle

Extremely compact and easily concealable
aluminum alloy subwoofers

USER GUIDE



Truffle-KTR24

Truffle-KTR25

Truffle-KTR26

K-ARRAY
Unique Audio Solutions

Index

Unpacking	4
Setup	4
Installation	5
Connecting	6
Connecting the Amplifier	7
Loudspeakers in Parallel	7
Service	8
Cleaning	8
Mechanical drawings	8
Technical Specifications	11

IMPORTANT SAFETY INSTRUCTIONS

Read these instructions - Keep these instructions
Heed all warnings



Warning. Failure to follow these safety instructions could result in fire, shock or other injury or damage to the device or other property.

Installation and commissioning may only be carried out by qualified and authorized personnel.



Switch-off the mains power supply before carrying out any connection or maintenance operations.

Symbols



K-array declares that this device is in compliance with applicable CE standards and regulations. Before putting the device into operation, please observe the respective country-specific regulations!



WEEE
Please dispose of this product at the end of its operational lifetime by bringing it to your local collection point or recycling center for such equipment.



This symbol alerts the user to the presence of recommendations about the product's use and maintenance.



The lightning flash with arrowhead symbol within an equilateral triangle is intended to alert the user to the presence of uninsulated, dangerous voltage within the product enclosure that may be of magnitude to constitute a risk of electrical shock.



This device complies with Restriction of Hazardous Substances Directive.

General heed and warnings

- Read these instructions.
- Keep this instructions.
- Heed all warnings.
- Follow all instructions.
- Do not use this apparatus near water.
- Clean only with dry cloth.
- Do not block any ventilation openings. Install in accordance with the manufacturer's instructions.
- Do not install near any heat sources such as radiators, heat registers, stoves, or other apparatus (including amplifiers) that produce heat.
- Only use attachments/accessories specified by the manufacturer.
- Use only with the cart, stand, tripod, bracket, or table specified by the manufacturer, or sold with the apparatus. When a cart is used, use caution when moving the cart/ apparatus combination to avoid injury from tip-over.
- Unplug this apparatus during lightning storms or when unused for long periods of time.
- This loudspeaker system is intended for professional use.
- Beware of sound levels. Do not stay within close proximity of loudspeakers in operation. Loudspeaker systems are capable of producing very high sound pressure levels (SPL) which can instantaneously lead to permanent hearing damage. Hearing damage can also occur at moderate level with prolonged exposure to sound. Check the applicable laws and regulations relating to maximum sound levels and exposure times.
- Before connecting the loudspeakers to other devices, turn off the power for all devices.
- Before turning the power on or off for all devices, set all volume levels to minimum.
- Use only speaker cables for connecting speakers to the speaker terminals.
- Be sure to observe the amplifier's rated load impedance particularly when connecting speakers in parallel. Connecting an impedance load outside the amplifier's rated range can damage the devices.
- Refer all servicing to qualified service personnel. Servicing is required when the apparatus has been damaged in any way, such as power-supply cord or plug is damaged, liquid has been spilled or objects have fallen into the apparatus, the apparatus has been exposed to rain or moisture, does not operate normally, or has been dropped.
- K-array will not shoulder any responsibilities for products modified without prior authorization.
- K-array cannot be held responsible for damage caused by improper use of the loudspeakers.



Thank you for choosing this K-array product!

To ensure proper operation, please carefully read this reference manual and safety instruction before using the product. After reading this manual, be sure to keep it for future reference.

Should you have any questions about your new device please contact K-array customer service at support@k-array.com or contact the official K-array distributor in your country.

The Truffle is an easily concealable subwoofer line made from aluminum alloy. Composed of the Truffle-KTR24, Truffle-KTR25 and the Truffle-KTR26, the diminutive low frequency speaker line is comprised of an active transducer and a passive speaker on each end of a compact cylindrical box, rendering the subwoofer a perfect omnidirectional low-end source.

Because of longer wavelengths, low-end frequencies are able to pass through most obstacles which is precisely why the Truffle was designed to remain hidden from view.

It completes the Azimut systems as the bass component to offer a complete, plug and play audio solution.

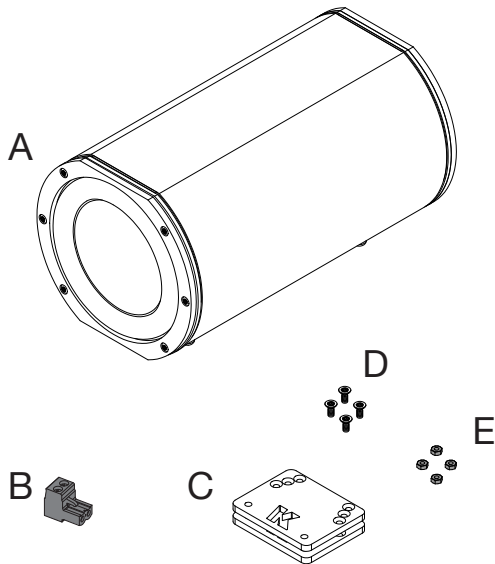
Truffle

User Guide

Unpacking

Each K-array product is built to the highest standard and thoroughly inspected before leaving the factory. Upon arrival, carefully inspect the shipping carton. If you find any damage, immediately notify the shipping company. Check that the following parts are supplied within the package:

- A. 1x Truffle loudspeaker
- B. 1x Phoenix MSTB 2,5/ 2-ST-5,08 BK flying connectors
- C. 2x Surface mount brackets
- D. 4x M4x10 mm
- E. 4x M4 Nuts

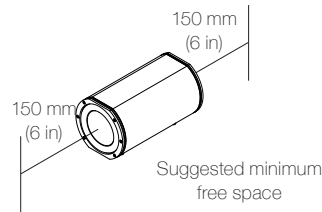


The accessories including in the packaging provide easy installation in fixed setup.

Setup

Truffle subwoofers are designed to be easily concealed above or underneath furniture. Ensure that enough space has been left around the subwoofer to allow the sound to propagate properly.

We suggest the following configurations:



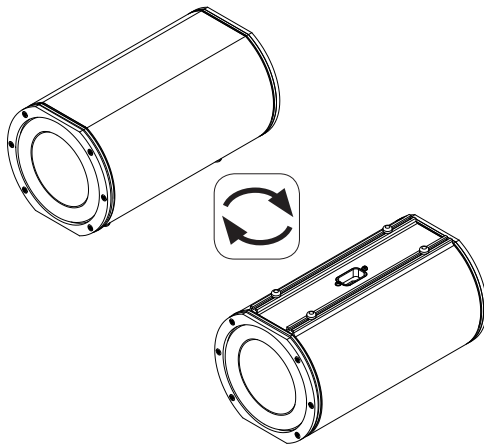
Installation

The four adjustable rubber feet steady the Truffle subwoofer on any flat horizontal surface.

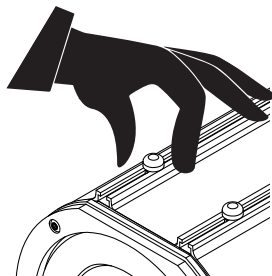
In case of installations on vertical or tilted surfaces, or to permanently secure the loudspeaker to a surface, a pair of dedicated brackets is provided.

The following procedure shows how to assemble the brackets on the Truffle-KTR25. The procedure is the same for the KTR24 and KTR26.

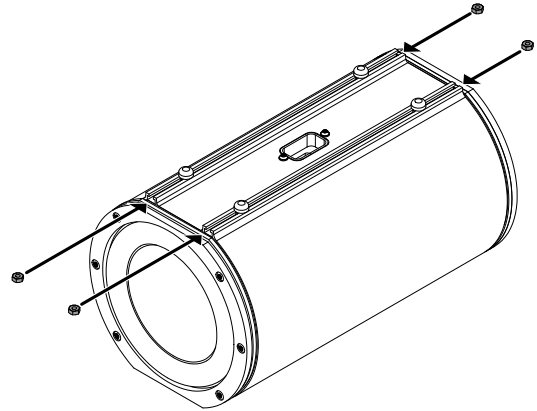
1. Turn the Truffle upside-down.



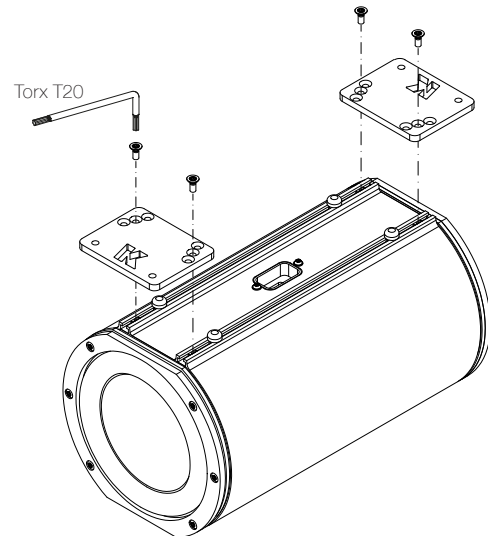
2. The rubber feet may be removed or left in place without affecting the assembly. In order to remove a rubber foot, unscrew and remove the nut from the metal profile.



3. Slot the four M4 nuts on the metal profiles.

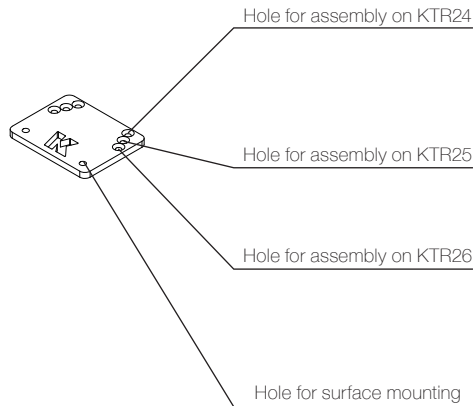
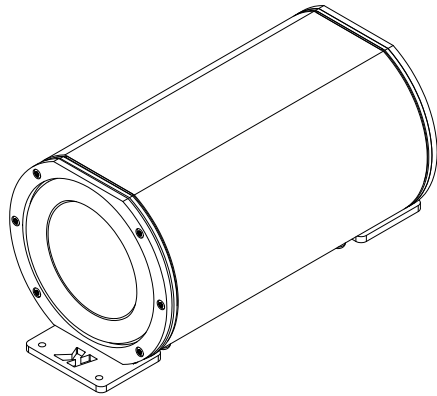


4. Use the M4x10 mm screws to fasten the surface mount brackets on both sides of the subwoofer.



Truffle

User Guide



Connecting

The Truffle subwoofer features an euroblock 2 pin Phoenix inlet for easy connectivity and link.

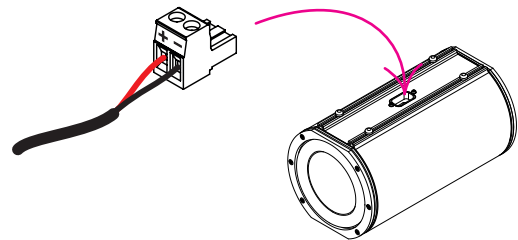
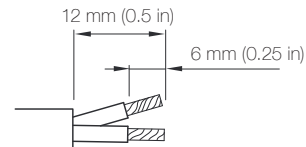
Caution must be taken when connecting the loudspeaker cable to the flying connector to match the signal polarity:

+	HOT	red wire
-	COLD	black/blue wire

If a label with signal polarity is not present on the flying connector, please refer to the label on the loudspeaker rear panel.

For a cable run of up to 5 m (16.4 ft) use a wire gauge of 0,75 mm² (18 AWG) at least.

For longer cable runs a wider gauge is recommended.



Connecting the Amplifier

K-array's Kommander line of amplifiers featuring built-in DSP will operate the Truffle subwoofers at their optimized performance only with the proper preset.

Load the device preset according to the connected loudspeaker before applying any signal to the unit.

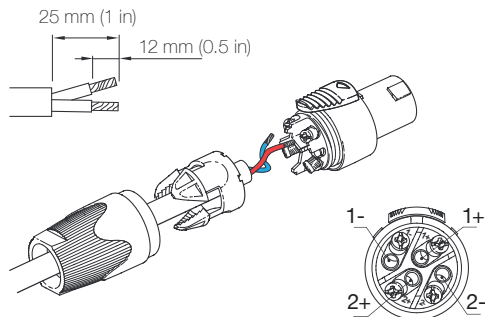


Set the dedicated
Truffle-KTR24 / Truffle-KTR25 / Truffle-KTR26
DEVICE PRESET on the amplifier DSP
BEFORE applying any signal to the loudspeaker

Before connecting the loudspeaker cable to the amplifier:

- ensure the loudspeaker impedance matches the amplifier channel rated loading impedance, especially when connecting multiple loudspeakers in parallel (see next paragraph);
- ensure that the amplifier is switched off.

When connecting the wires to a SpeakOn NL4 connector, screw the HOT+ wire to the terminal 1+ or 2+ and the COLD- wire to the terminal 1- or 2-.



Loudspeakers in Parallel

By connecting the loudspeakers in parallel it is possible to drive many loudspeakers with the same audio signal by means of a single amplifier output channel.

The parallel connection lowers the total load impedance. Caution must be taken to maintain the load impedance of the paralleled loudspeakers above the amplifier's minimum loading impedance.

Use the table below to match the number of loudspeakers at the specified impedance that can be connected to K-array's Kommander amplifiers.

	KA02	KA14	KA24	KA84
Truffle-KTR24	2*	1	1	–
Truffle-KTR25	2*	1	1	–
Truffle-KTR26	1	–	–	–

* Parallel Bridge Tied Load (PBTL) configuration. Refer to Kommander-KA02 or Azimut user manuals for details.

Truffle

User Guide

Service

To obtain service:

1. Please have the serial number(s) of the unit(s) available for reference.
2. Contact the official K-array distributor in your country: find the Distributors and Dealers list on [K-array website](#). Please describe the problem clearly and completely to the Customer Service.
3. You will be contacted back for online servicing.
4. If the problem cannot be resolved over the phone, you may be required to send the unit in for service. In this instance, you will be provided with an RA (Return Authorization) number which should be included on all shipping documents and correspondence regarding the repair. Shipping charges are the responsibility of the purchaser.

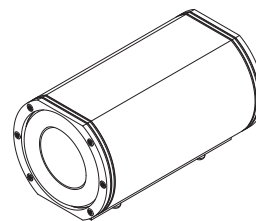
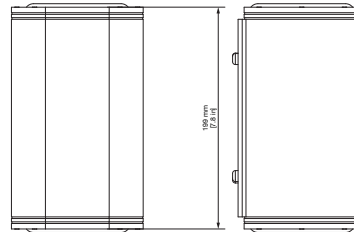
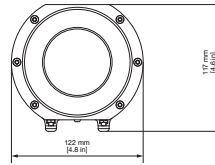
Any attempt to modify or replace components of the device will invalidate your warranty. Service must be performed by an authorized K-array service center.

Cleaning

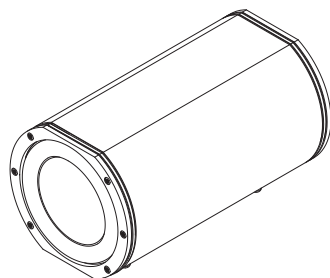
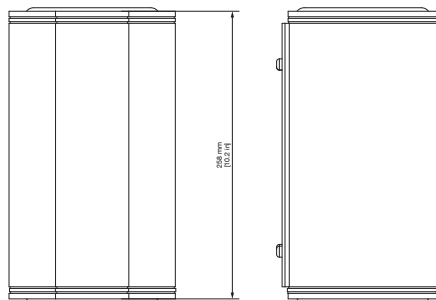
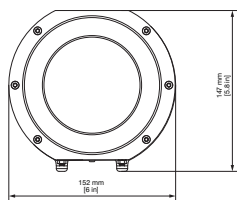
Use only a soft, dry cloth to clean the housing. Do not use any solvents, chemicals, or cleaning solutions containing alcohol, ammonia, or abrasives. Do not use any sprays near the product or allow liquids to spill into any openings.

Mechanical drawings

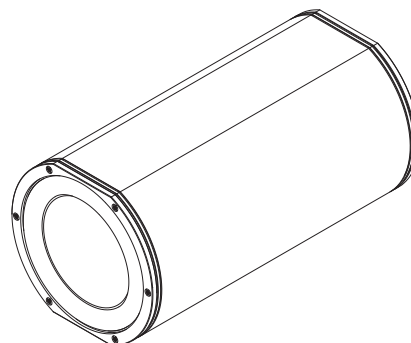
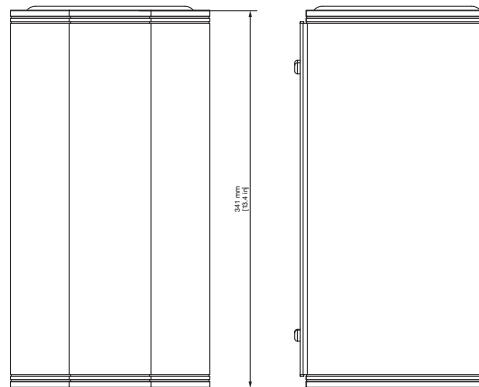
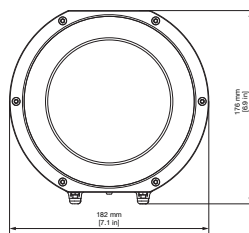
Truffle-KTR24



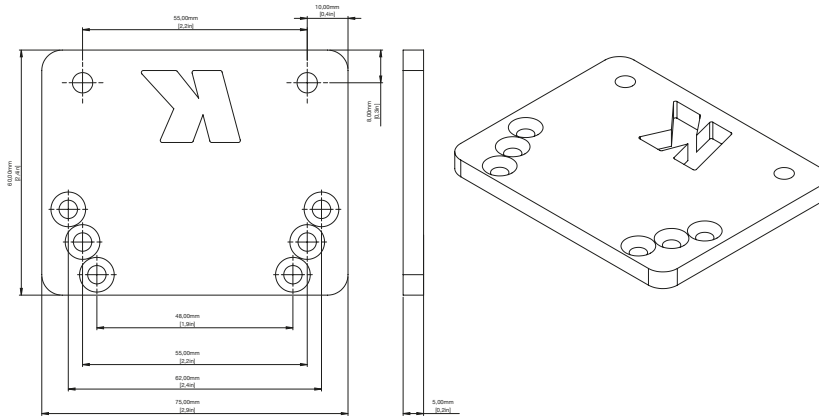
Truffle-KTR25



Truffle-KTR26



Bracket



Technical Specifications

	Truffle-KTR24	Truffle-KTR25	Truffle-KTR26
Type	Passive subwoofer	Passive subwoofer	Passive subwoofer
Rated Power	60 W	80 W	100 W
Frequency Response ¹	45 Hz – 150 Hz (-6 dB)	45 Hz – 150 Hz (-6 dB)	45 Hz – 150 Hz (-6 dB)
Maximum SPL ²	112 dB (peak)	115 dB (peak)	120 dB (peak)
Coverage	Omni	Omni	Omni
Transducers	4" woofer + passive radiator	5.25" woofer + passive radiator	6.5" woofer + passive radiator
Colors	Black		
Finishes	Powder Matte		
Material	Aluminum		
Dimensions (WxHxD)	122 x 117 x 199 mm (4.8 x 4.6 x 7.8 in)	152 x 147 x 258 mm (6.0 x 5.8 x 10.2 in)	182 x 176 x 341 mm (7.1 x 6.9 x 13.4 in)
Weight	1,5 kg (3.31 lb)	2,5 kg (5.51 lb)	3,5 kg (7.72 lb)
IP Rating	IP54		
Impedance	4 Ω	4 Ω	2 Ω

¹ With dedicated preset² Maximum SPL is calculated using a signal with crest factor 4 (12dB) measured at 1 m.

This page left intentionally blank



Designed and Made in Italy

K-ARRAY surl
Via P. Romagnoli 17 | 50038 Scarperia e San Piero - Firenze - Italy
ph +39 055 84 87 222 | info@k-array.com

www.k-array.com