



## Description

It's a challenge to revolutionize something already revolutionary, but K-array has managed to do just that with the latest update to its Vyper line.

The new Vyper-KV25 is an ultra-flat passive speaker that is half the length of its predecessor comprised of four 1" neodymium magnet transducers featuring Pure Array Technology to deliver homogeneous coverage with crystal clear audio. Housed in an elegant and resistant aluminum chassis, the Vyper-KV25 is able to reproduce the whole vocal frequency range with high intelligibility, starting from 150 Hz.

With a selectable 8Ω – 32Ω impedance feature, it's easy to create a distributed Vyper loudspeaker system since it is possible to connect up

to 8 units at high impedance to a single amplifier channel, without using transformers for 70V or 100V lines.

Being able to offer the perfect audio solution is no longer sufficient; it's knowing how to harmoniously integrate with the surrounding environment. The Vyper-KV25 offers a solution for large rooms with high sound requirements needed from a more compact form than the longer Vyper-KV52 – such as pubs, small conference and boardrooms, lounges and hotel lobbies. The Vyper-KV25 is also available in a variety of premium finishes for a refined installation.

Colors		Premium Finishes		Features		Frequent Applications	
Black		Gold		Visually Discreet	Electronically Protected	Restaurants & Cafes	Houses Of Worship
White		Polished		Weather Resistant	Pure Array Technology	Yachting	Broadcast & Studios
Custom		Brushed		Selectable Impedance		Theme Parks	Boardrooms & Conference Rooms

Accessories					
K-KCLAMP	K-KCLAMP/S	K-WALL2L			

## Technical Specifications

General	
Type	Line array
Transducers	4 x 1" neodymium magnet woofers
Frequency Response <sup>1</sup>	150 Hz – 18 kHz (-6 dB)
Max SPL <sup>2</sup>	108 dB (peak)
Rated Power	75 W
Coverage	V. 25°   H. 140°
Connectors	2PIN euroblock connector (included)
Nominal Impedance	8 Ω / 32 Ω selectable

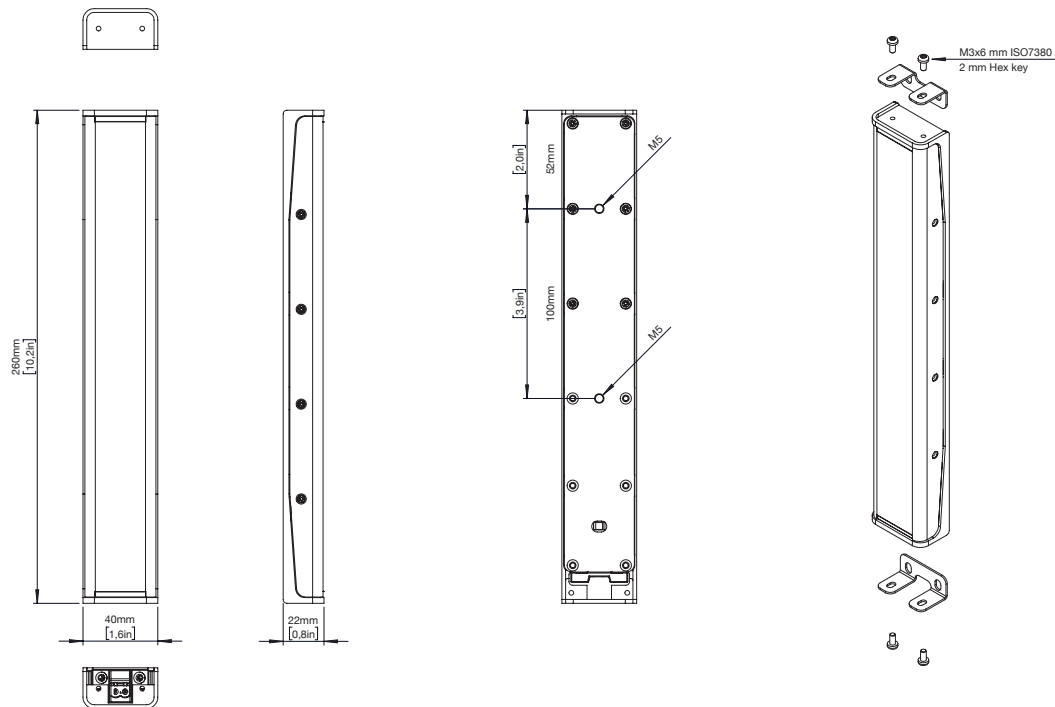
Handling & Finishes	
Dimensions (WxHxD)	40 x 260 x 22 mm (1.6 x 10.2 x 0.9 in)
Weight	0,4 kg (0.88 lb)
Material	Aluminium
Colors	Black, White, Custom RAL
Finishes	24K Gold, Polished, Brushed

Regulations	
IP Rating	IP64

Accessories	
Recommended Amplifier	Kommander-KA02, Kommander-KA14, Kommander-KA24, Kommander-KA84
Accessories	K-KCLAMP, K-KCLAMP/S, K-WALL2L

<sup>1</sup> With dedicated preset.

<sup>2</sup> Maximum SPL is calculated using a signal with crest factor 4 (12dB) measured at 8 m then scaled at 1 m



Notes for data:

Passive loudspeakers require dedicated presets loaded onboard K-array amplifiers.  
 New materials and designs are introduced into existing products without previous notice.  
 Present systems may differ in some respects from those presented in this catalog.