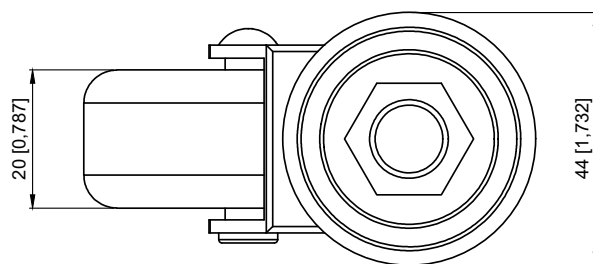
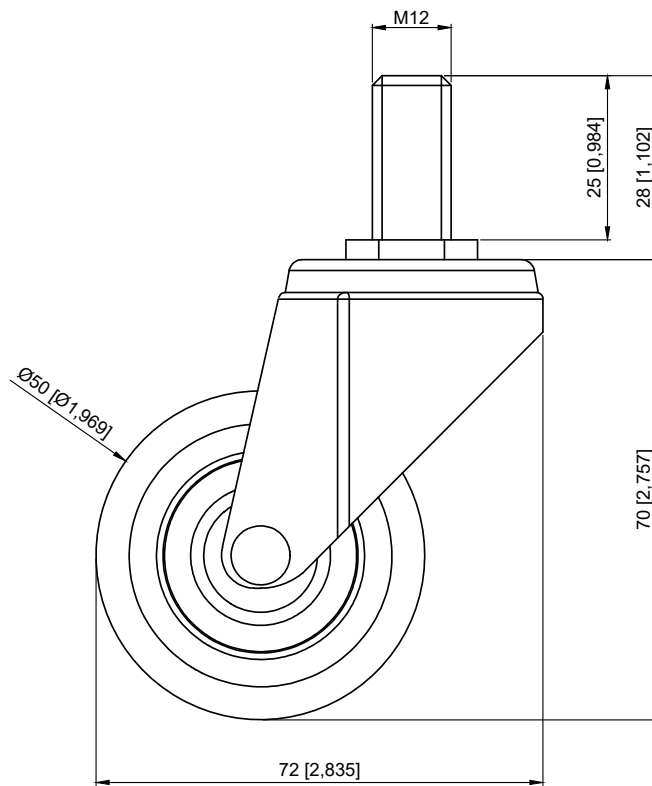



Product information:

Caster set for OPR series. This set contains: 2x casters with brake and 2x casters without brake - bolt fixation with M12 thread. Ø 50 x 20 mm





 professional stands and racks	CAS106WS		Product description SWIVEL BEARING CASTER SET - Ø50X20 MM- 2xWBRAKE&2xW/OBRAKE - M12 THREAD ROD		
	MM [INCH]	Scale 1 : 1	Outer dimensions (w x h x d) 72 x 98 x 44 mm 2,835 x 3,859 x 1,732 "	Unit height N/A	Weight 1 kg 2,20 lbs