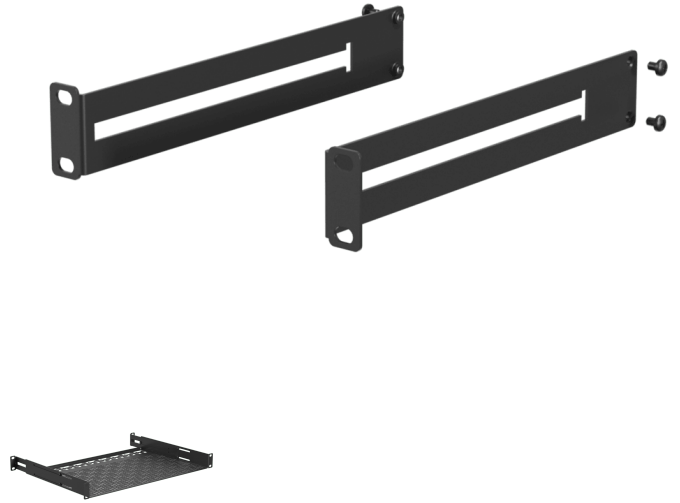


Rear support bracket for ISx20 series rack shelves (pair)

Elevate your audio and video equipment setup with these purpose-built support brackets, designed not only for aesthetics but also for enhanced rigidity and weight support up to 20kg.

Crafted with precision, this pair of rear support brackets seamlessly integrates with the ISx20 series rack shelves, providing a secure foundation for your valuable gear. The robust design adds an extra layer of stability, significantly increasing the weight-bearing capacity of your 19" standard shelf. Installation is a breeze, thanks to the user-friendly design and compatibility with the ISx20 series.

*Not suited for IS120S with 180mm depth.



Product Features:

Dimensions	230 x 43.7 x 20.5 mm (W x H x D)
Weight	0.18 kg
Unit height	1 HE
Max. load	20 kg

