

keypadCUE-55



CS0542-9006

white aluminium RAL9006 enclosure

CS0542-9003

signal white RAL9003 enclosure

Description

The keypadCUE-55 is a fully customizable button control panel compatible with all CUE's controllers. This easy to use control interface connects to controllers to offer a wide variety of functions such as display on and off, input switching, volume and mute control, etc. The keypad provides eight buttons and programmable indication in each button. Every button can be configured for any function. User defined button's label can be printed on a printer and inserted into the keypad. Featuring a beautiful architectural finish, these keypad is an elegant and powerful wall mounted control panel designed to be installed onto a standard European electrical wall box as well as into a cable enclosure.

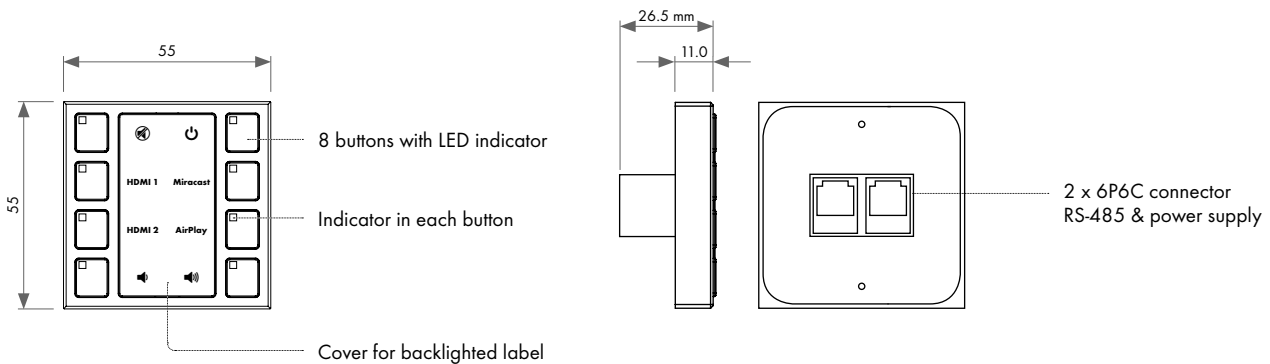
Addressing

Each keypadCUE-55 is identified by an address. This address must be unique within the units connected to one RS-485 (CUEwire) line.

- The ADDRESS can be set in the range 2 to 30.
- Default ADDRESS is 2

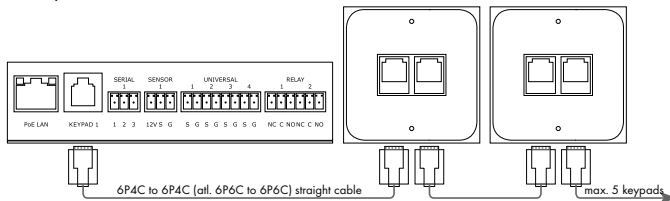
The address of the keypadCUE-55 is stored in internal flash memory. For modification of the address see user manual.

Mechanical Description

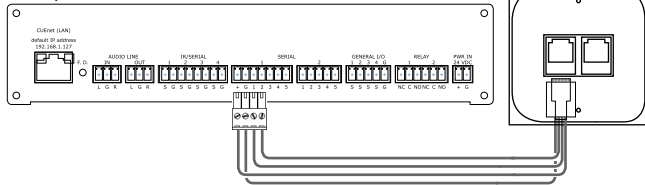


Connection

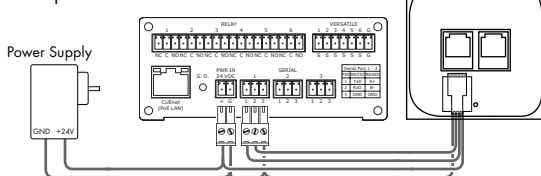
Example - connection to controlCUE-basic



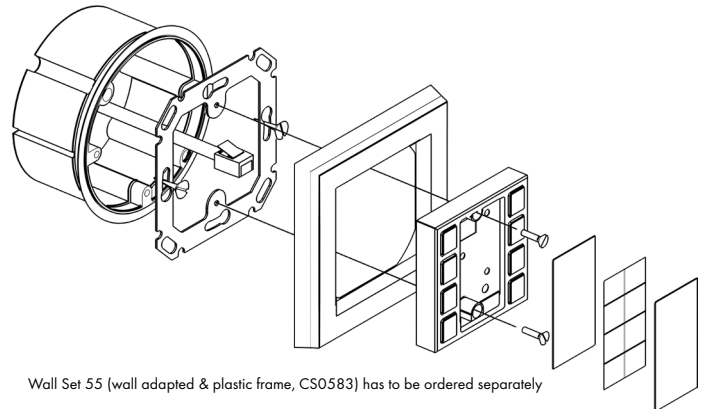
Example - connection to controlCUE-one



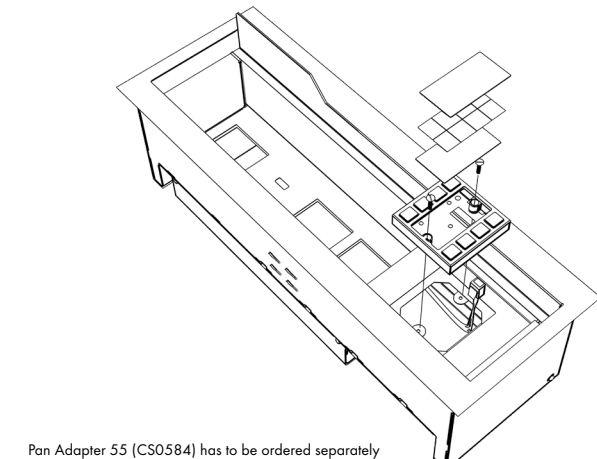
Example - connection to controlCUE-versatile



Wall Installation



Interconnection Tabletop Box Installation



6P6C connector RS-485 & power supply

Pin	Description
1	+10 ÷ +30 V DC
2	+10 ÷ +30 V DC
3	A+
4	B-
5	Ground
6	Ground

rear-side view

