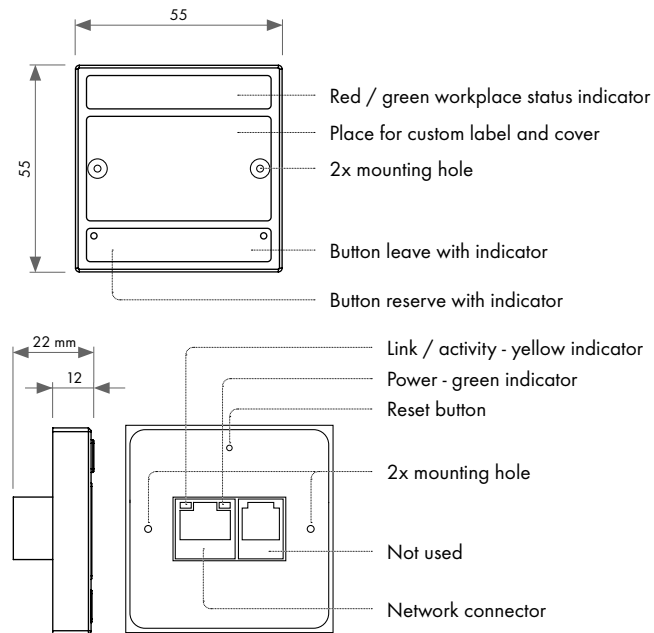


# touchONE-desk-55

CS0556



## Description



## Factory Default Setup

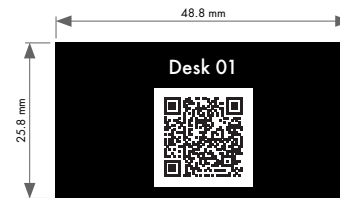
When the Reset button is pressed longer than 5 sec., the factory default function is performed and setup is as follows:

- IP address: from DHCP
- IP Mask: from DHCP
- Password: Empty (no input required)
- All settings are deleted

## Box Contents

touchONE-desk-55  
Mounting screws  
Transparent cover  
Quick Start  
Declaration of Conformity & Warranty Conditions

## Label Preparation



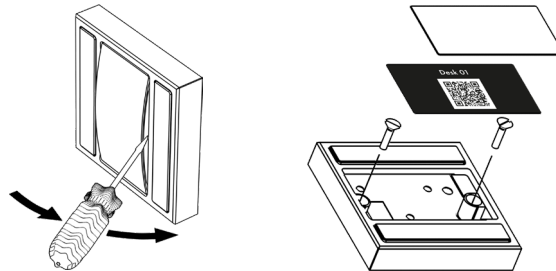
QR code content text in JSON format:

- {"Email":"desk01@touchone.eu","Name":"Desk 01"}

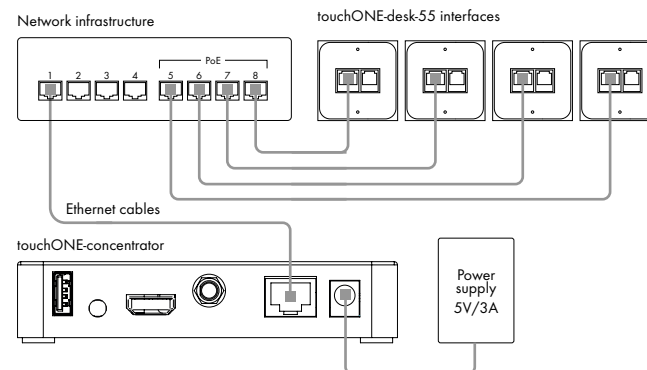
where

- **desk01@touchone.eu** is resource e-mail
- **Desk 01** is workplace display name

## Installation

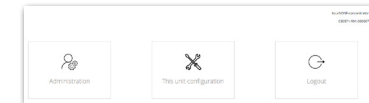


## Connection

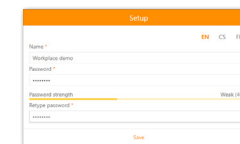


## Initial Setup

1. Connect touchONE-concentrator power supply 5 V.
2. Connect touchONE-concentrator to the network. In the default setting, the unit is enabled to get the IP address and DNS servers using the DHCP of the network.
3. Connect touchONE-desk-55 desk interfaces to the same network. **PoE ports are required.**
4. Connect you PC to the same network.
5. Launch Admin Web
  - Using Cue Network Scanner
    - Download **Cue Network Scanner** from [www.touchone.eu](http://www.touchone.eu), section Resources. This application does not require installation.
    - Run Cue Network Scanner.exe and search for units.
    - Launch Admin Web by double click on the selected touchONE-concentrator
  - Using File Explorer
    - Run File Explorer on your computer and select "Network"
    - The units of the touchONE systems can be found in the section "Other devices".
    - Launch Admin Web by double click on the selected touchONE-concentrator. From the factory, the touchONE-concentrator is empty (reservation suite is not defined) and login is not required. Admin Web home page is displayed after Admin Web launch.



6. Go to "This unit configuration" and do the basic setup of the touchONE-concentrator unit (IP settings, date and time, etc.).
7. Go to "Administration". Setup window is displayed. Choose and enter reservation suite "Name" and "Password".



9. Press "Save" to store setup. Main page of the administration web is displayed.
10. Click on ? button located in top right corner. It opens **Setup guide**, where complete setup is described.