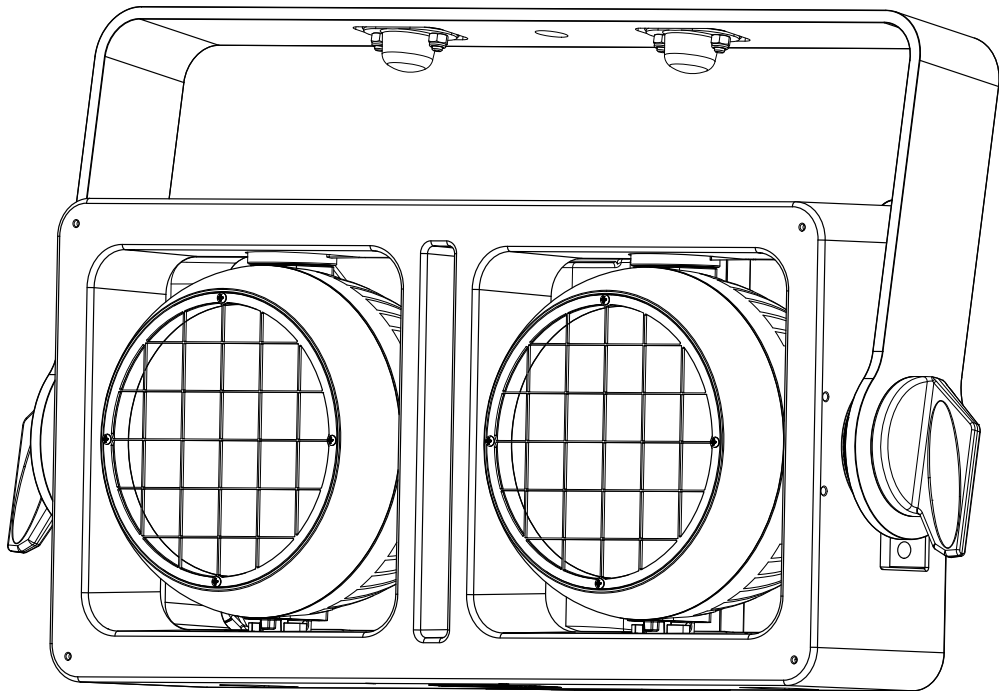


STRIKE **ARRAY** 2

Quick Reference Guide

| | |
|------------|----|
| English | EN |
| Español | ES |
| Français | FR |
| Deutsch | DE |
| Nederlands | NL |



Model ID: STRIKEARRAY2

About This Guide

The Strike Array 2 Quick Reference Guide (QRG) has basic product information such as connection, mounting, menu options, and DMX values. Download the User Manual from www.chauvetprofessional.com for more details.

Disclaimer

The information and specifications contained in this QRG are subject to change without notice.

LIMITED WARRANTY

FOR WARRANTY REGISTRATION AND COMPLETE TERMS AND CONDITIONS PLEASE VISIT OUR WEBSITE.

For Customers in the United States and Mexico: www.chauvetlighting.com/warranty-registration.

For Customers in the United Kingdom, Republic of Ireland, Belgium, the Netherlands, Luxembourg, France, and Germany: www.chauvetlighting.eu/warranty-registration.

Chauvet warrants that this product shall be free from defects in material and workmanship under normal use, for the period specified in, and subject to the exclusions and limitations set forth in the full limited warranty on our website. This warranty extends only to the original purchaser of the product and is not transferable. To exercise rights under this warranty, you must provide proof of purchase in the form of an original sales receipt from an authorized dealer that shows the product name and date of purchase. THERE ARE NO OTHER EXPRESS OR IMPLIED WARRANTIES. This warranty gives you specific legal rights. You may also have other rights that vary from state to state and country to country. This warranty is valid only in the United States, United Kingdom, Republic of Ireland, Belgium, the Netherlands, Luxembourg, France, Germany and Mexico. For warranty terms in other countries, please consult your local distributor.

Safety Notes

- The luminaire should be positioned so that prolonged staring into the luminaire at a distance closer than 7.5 ft (2.3 m) is not expected.
- If the external flexible cable or cord of this luminaire is damaged, it shall be replaced by a special cord or cord exclusively available from the manufacturer or his service agent.
- The light source contained in this luminaire shall only be replaced by the manufacturer or his service agent or a similar qualified person.
- The luminaire is intended for professional use only.
- DO NOT open this product. It contains no user-serviceable parts.
- To eliminate unnecessary wear and improve its lifespan, during periods of non-use completely disconnect the product from power via breaker or by unplugging it.
- DO NOT look at the light source when the product is on.
- CAUTION: This product's housing may be hot when lights are operating. Mount this product in a location with adequate ventilation, at least 20 in (50 cm) from adjacent surfaces.
- DO NOT leave any flammable material within 20 in (50 cm) of this product while operating or connected to power.
- CAUTION: When transferring product from extreme temperature environments, (e.g., cold truck to warm humid ballroom) condensation may form on the internal electronics of the product. To avoid causing a failure, allow product to fully acclimate to the surrounding environment before connecting it to power.
- USE a safety cable when mounting this product overhead.
- DO NOT submerge this product (IP65). Regular outdoor operation is fine.
- DO NOT operate this product if the housing, lenses, or cables appear damaged.
- DO NOT connect this product to a dimmer or rheostat.
- ONLY connect this product to a grounded and protected circuit.
- ONLY use the hanging/mounting bracket or the handles to carry this product.
- In the event of a serious operating problem, stop using immediately.
- The maximum ambient temperature is 113 °F (45 °C). Do not operate this product at higher temperatures.

FCC Compliance

This device complies with Part 15 Part B of the FCC Rules. Operations is subject to the following two conditions:

1. This device may not cause harmful interference, and
2. This device must accept any interference received, including interference that may cause undesired operation.

Any changes or modifications not expressly approved by the party responsible for compliance could void the user's authority to operate the equipment.

Contact

Outside the US, UK, Ireland, Benelux, France, Germany, or Mexico, contact your distributor to request support or return a product. Refer to [Contact Us](#) at the end of this QRG for contact information.

What is Included

- Strike Array 2
- Seetronic Powerkon IP65 Power Cord
- Omega Bracket with mounting hardware
- Quick Reference Guide

AC Power

This product has an auto-ranging power supply that can work with an input voltage range of 100–240 VAC, 50/60 Hz.

Power Linking

You can link up to 11 Strike Array 2 products at 100 V, 13 products at 120 V, 22 products at 208 V, 24 products at 230 V, or 25 products at 240 V. Never exceed this number. Power linking cords can be purchased separately.

AC Plug

| Connection | Wire (U.S.) | Wire (Europe) | Screw Color |
|------------|--------------|---------------|--------------|
| AC Live | Black | Brown | Yellow/Brass |
| AC Neutral | White | Blue | Silver |
| AC Ground | Green/Yellow | Green/Yellow | Green |



To eliminate unnecessary wear and improve its lifespan, during periods of non-use completely disconnect the product from power via breaker or by unplugging it.

DMX Linking

The Strike Array 2 will work with a DMX controller using a 5-pin DMX serial connection. A DMX Primer is available from www.chauvetprofessional.com.

DMX Connection

The Strike Array 2 uses a wireless DMX data connection for its DMX personalities: **1 Ch, 2 Ch, 3 Ch, 4 Ch, 5 Ch, and 8 Ch**. See the User Manual for information about connecting and configuring the product for DMX operation.

Master/Slave Connection

The Strike Array 2 uses the DMX data connection for its Master/Slave mode. See the User Manual for information about connect and configure the product for master/slave operation.

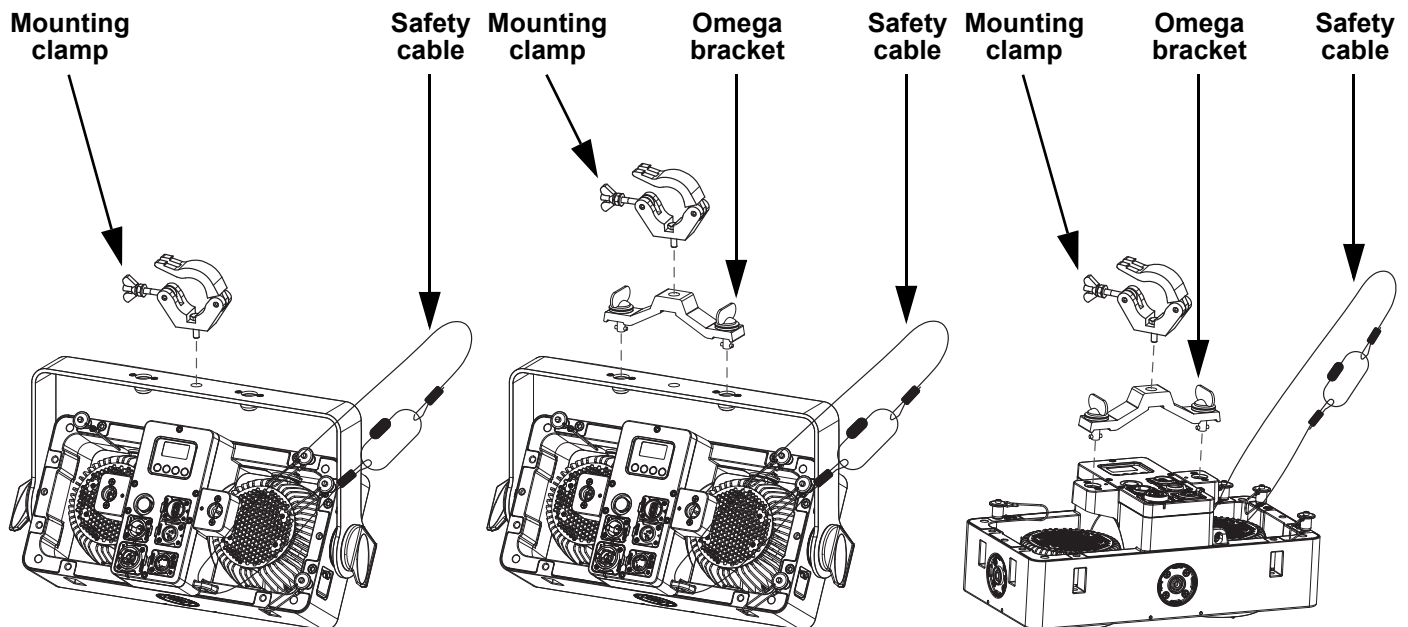
RDM (Remote Device Management)

Remote Device Management, or RDM, is a standard for allowing DMX-enabled devices to communicate bi-directionally along existing DMX cabling. Check the DMX controller’s User Manual or with the manufacturer as not all DMX controllers have this capability. The Strike Array 2 supports RDM protocol that allows feedback to make changes to some menu map options. Download the User Manual from www.chauvetprofessional.com for more details.

Mounting

Before mounting this product, read the [Safety Notes](#). Make sure the mounting clamps are capable of supporting the weight of the product. For our Chauvet line of mounting clamps, go to <http://trusst.com/productcategory/truss-clamps/>.

Product Mounting Diagram

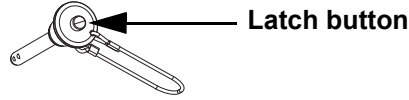


Multi-Product Mounting

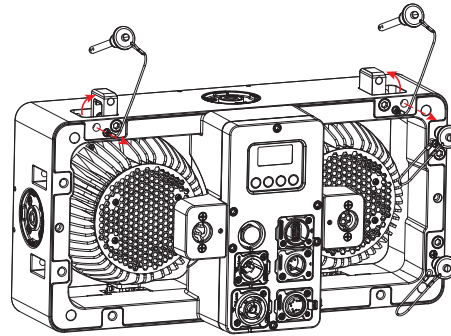
The Strike Array 2 has an interlocking system to connect multiple Strike Array 2 or Strike Array 4 products together, vertically or horizontally. Make sure the mounting clamps are capable of supporting the weight of the product. For our Chauvet line of mounting clamps, go to <http://trusst.com/productcategory/truss-clamps/>.

Multi-Product Mounting Diagram

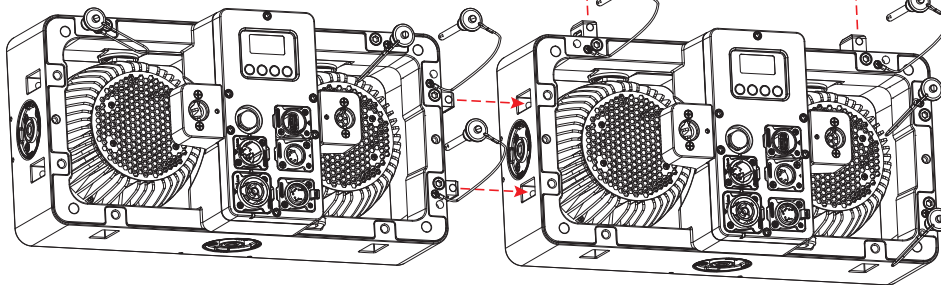
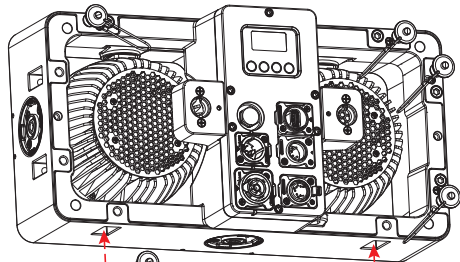
Press and hold the latch button to remove or insert the retaining pins



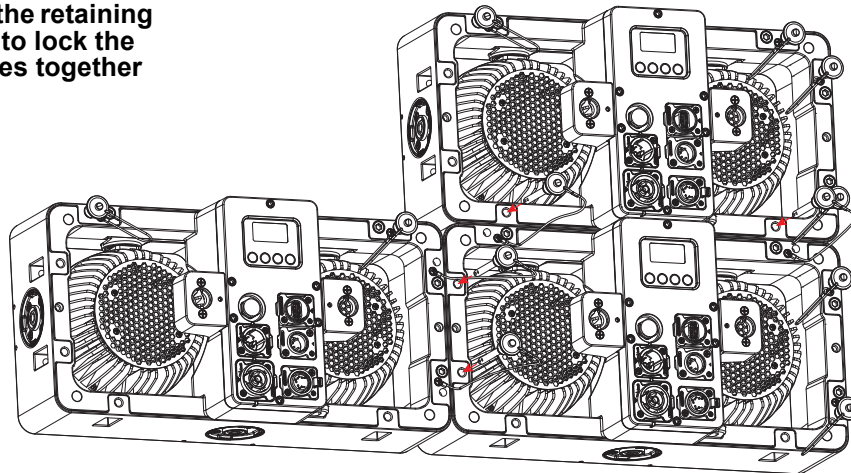
Remove the retaining pins to release the integrated hanging hardware



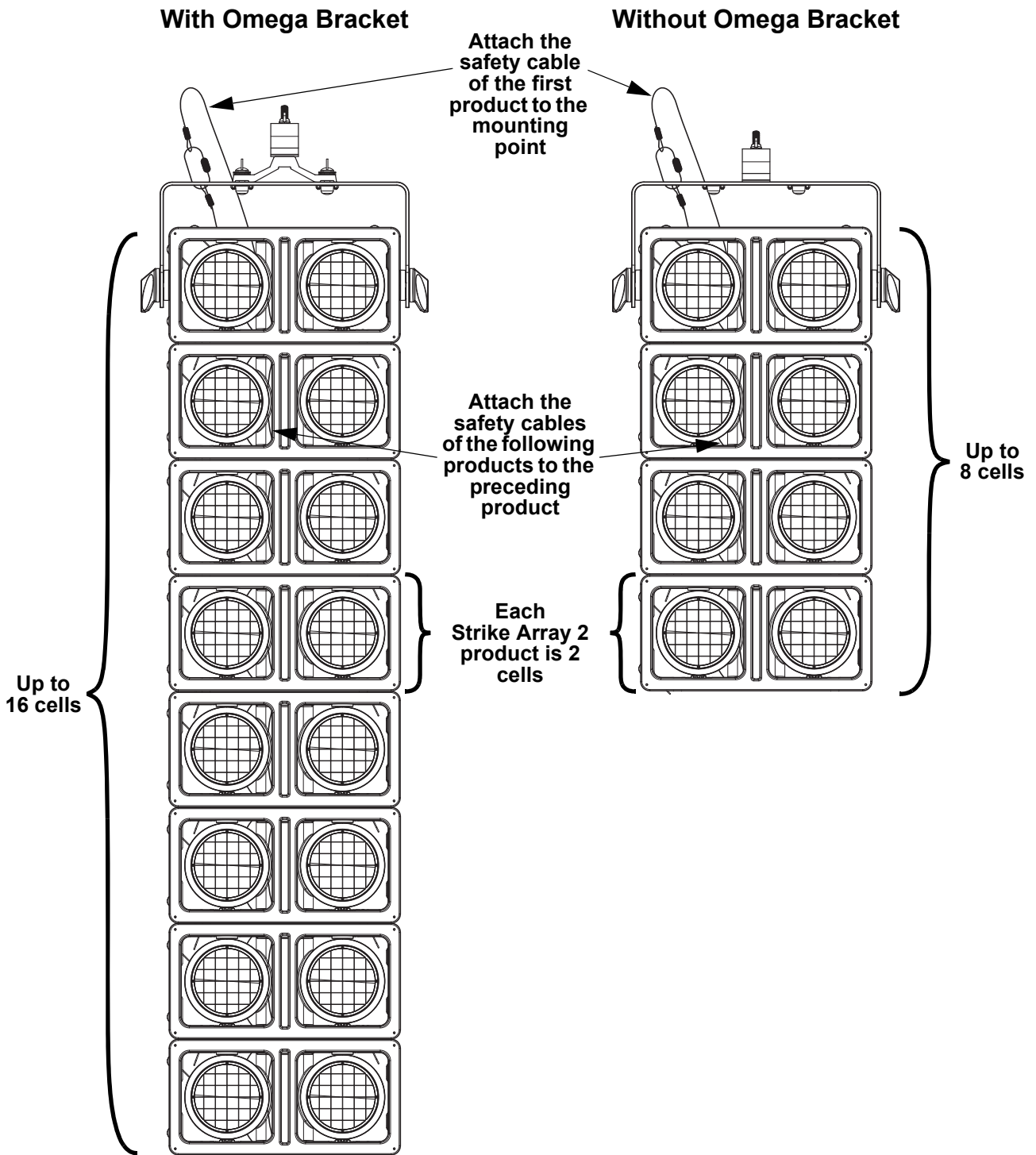
Insert the integrated hanging hardware into the opening of the next fixture (vertically or horizontally)



Insert the retaining pins to lock the fixtures together



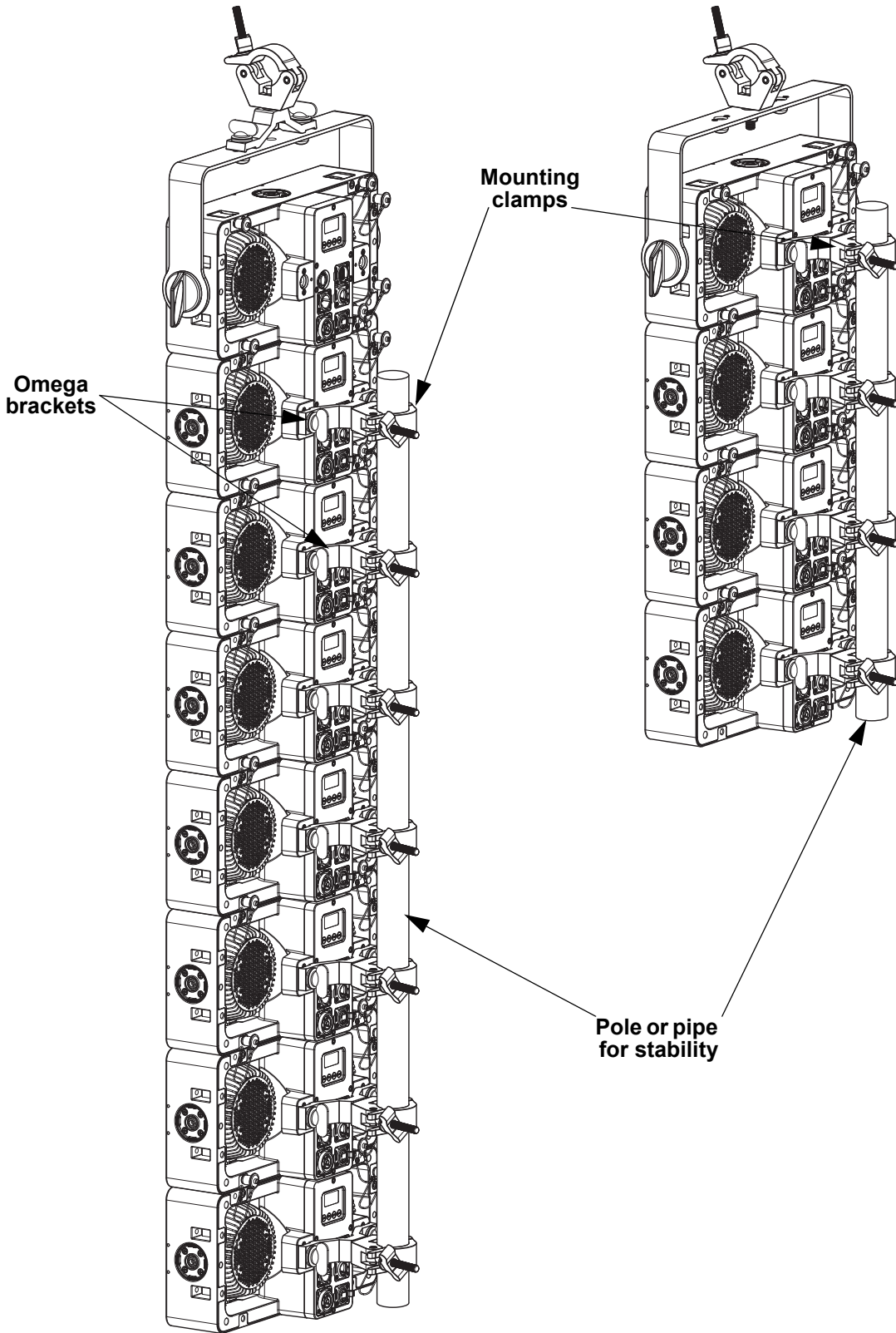
Mounting Products Attached in Series



- When using the omega bracket, never hang more than 16 cells vertically from a single mounting point.
- When not using the omega bracket, never hang more than 8 cells vertically from a single mounting point.

Vertical Mounting Stability

When mounting products attached in series, use omega brackets in the back position to create a spine. This will prevent any motion which may damage the products.



Control Panel Description

| Button | Function |
|---------|--|
| <MENU> | Exits from the current menu or function |
| <ENTER> | Enables the currently displayed menu or sets the currently selected value into the selected function |
| <UP> | Navigates upwards through the menu list or increases the numeric value when in a function |
| <DOWN> | Navigates downwards through the menu list or decreases the numeric value when in a function |

Passcode

After being prompted, enter the following passcode by pressing: <UP>, <DOWN>, <UP>, <DOWN>, <ENTER>. This passcode cannot be changed and must be used whenever prompted.

Menu Map

Refer to the Strike Array 2 product page on www.chauvetprofessional.com for the latest menu map.

| Main Level | Programming Levels | | Description |
|---------------|--------------------|---------------|---|
| Start Address | 001–512* | | Selects starting address (*highest channel restricted to personality chosen) |
| DMX Channel | 1 Ch | | 1-channel: Dimmer |
| | 2 Ch | | 2-channel: White 1, white 2 |
| | 3 Ch | | 3-channel: Dimmer, red shift, dimmer speed mode |
| | 4 Ch | | 4-channel: White 1, white 2, red shift, dimmer speed mode |
| | 5 Ch | | 5-channel: Dimmer, red shift, strobe, auto programs, dimmer speed mode |
| | 8 Ch | | 8-channel: Dimmer, 16-bit dimmer, red shift, strobe, white 1, white 2, auto programs, dimmer speed mode |
| Static | Dimmer | 000–255 | Sets the intensity of the light output |
| | Strobe | | Selects the strobe frequency |
| Auto Show | Auto 1–6 | Speed 001–100 | Selects automatic programs and auto program speed |
| Red Shift | On | | Turns on or off Red Shift (amber LEDs imitate lamp when dimming) |
| | Off | | |
| Master/Slave | Master | | Master mode |
| | Slave | | Slave mode |
| Dimmer Mode | Off | | Linear dimmer |
| | Dimmer 1 | | Fast dimmer curve |
| | Dimmer 2 | | Medium dimmer curve |
| | Dimmer 3 | | Slow dimmer curve |
| LED Frequency | 600Hz | | Selects the PWM output frequency |
| | 1200Hz | | |
| | 2000Hz | | |
| | 4000Hz | | |
| | 25KHz | | |
| Back Light | 10S | | Turns off display backlight after 10 seconds of inactivity |
| | 30S | | Turns off display backlight after 30 seconds of inactivity |
| | 2Min | | Turns off display backlight after 2 minutes of inactivity |
| | Always On | | Display backlight always on |
| Key Lock | On | | Locks display (password: <UP>, <DOWN>, <UP>, <DOWN>, <ENTER>) |
| | Off | | |

| Main Level | Programming Levels | | Description |
|-----------------|--------------------|-----------|--|
| Information | Fixture Hours | ___ H | Shows total hours the product has been powered on |
| | LED Hours | ___ H | Shows the total hours the LED lights have been on |
| | Version | V_._ | Shows installed software version |
| | UID | ----- | Shows product UID |
| Temperature | LED1: | __ °C | Individual pod temperature |
| | LED2: | | |
| Update Firmware | Only This Unit | -----_CHL | Selects an update file for this product, or shows “ No such file! ” |
| | | ... | |
| | Multiple Units | -----_CHL | Selects an update file for this and connected Strike Array 2 products, or shows “ No such file! ” |
| | | ... | |
| | Other Fixture Type | -----_CHL | Selects an update file for other connected products, or shows “ No such file! ” |
| | | ... | |
| Factory Reset | No | | Reset to factory defaults |
| | Yes | | |

USB Software Update

The Strike Array 2 allows for software updates with a USB device using the built-in USB port. To update the software using a USB flash drive, do the following:

1. Power on the fixture, and plug the flash drive into the USB port.
2. Once the flash drive has been detected, the message “Upgrade Firmware” will be displayed. Press <ENTER>.
 - If a different message appears on the display, search for the updated software in the Main Menu (**Update Firmware**) and select from **Only This Unit**, **Multiple Units**, or **Other Fixture Type**. A list of the software update files will be displayed.
3. Select the file that needs to be uploaded. The message “Are you sure?” will be displayed. Press <ENTER>.
4. If the selected file is correct, the upgrade will be completed. Restart the fixture.
 - If the selected file is incorrect, the upgrade will fail, and the display will go back to the main interface. Repeat steps 1-3 using the correct file.



The .chl format file needs to be placed in the “STRIKE” folder in the USB flash drive.



The “Other Fixture Type” option can only be selected for connected products compatible with the Upload 03 (the first 2 digits of the item code must be 03).

DMX Values

8 Ch

| Channel | Function | Value | Percent/Setting |
|---------|--------------------|-----------|---|
| 1 | Dimmer | 000 ⇄ 255 | 0–100% |
| 2 | Dimmer Fine | 000 ⇄ 255 | 0–100% |
| 3 | Red Shift | 000 ⇄ 000 | On |
| | | 001 ⇄ 255 | Off |
| 4 | Strobe | 000 ⇄ 010 | No function |
| | | 011 ⇄ 132 | Strobe, slow to fast (all pods) |
| | | 133 ⇄ 255 | Strobe, slow to fast (random strobe macros) |
| 5 | White 1 | 000 ⇄ 255 | 0–100% |
| 6 | White 2 | 000 ⇄ 255 | 0–100% |
| 7 | Auto Programs | 000 ⇄ 010 | No function |
| | | 011 ⇄ 040 | Auto 1 (slow to fast) |
| | | 041 ⇄ 080 | Auto 2 (slow to fast) |
| | | 081 ⇄ 120 | Auto 3 (slow to fast) |
| | | 121 ⇄ 160 | Auto 4 (slow to fast) |
| | | 161 ⇄ 200 | Auto 5 (slow to fast) |
| | | 201 ⇄ 240 | Auto 6 (slow to fast) |
| | | 241 ⇄ 255 | No function |
| 8 | Dimmer Speed Mode* | 000 ⇄ 051 | Current dimmer speed mode |
| | | 052 ⇄ 101 | Dimmer speed mode off (linear dimmer) |
| | | 102 ⇄ 152 | Dimmer speed mode 1 (fastest) |
| | | 153 ⇄ 203 | Dimmer speed mode 2 |
| | | 204 ⇄ 255 | Dimmer speed mode 3 (slowest) |



*Hold desired dimmer speed value for 3 seconds, then release. This changes the dimmer speed setting in the menu.

5 Ch

| Channel | Function | Value | Percent/Setting |
|---------|--------------------|-----------|---|
| 1 | Dimmer | 000 ⇄ 255 | 0–100% |
| 2 | Red Shift | 000 ⇄ 000 | On |
| | | 001 ⇄ 255 | Off |
| 3 | Strobe | 000 ⇄ 010 | No function |
| | | 011 ⇄ 132 | Strobe, slow to fast (all pods) |
| | | 133 ⇄ 255 | Strobe, slow to fast (random strobe macros) |
| 4 | Auto Programs | 000 ⇄ 010 | No function |
| | | 011 ⇄ 040 | Auto 1 (slow to fast) |
| | | 041 ⇄ 080 | Auto 2 (slow to fast) |
| | | 081 ⇄ 120 | Auto 3 (slow to fast) |
| | | 121 ⇄ 160 | Auto 4 (slow to fast) |
| | | 161 ⇄ 200 | Auto 5 (slow to fast) |
| | | 201 ⇄ 240 | Auto 6 (slow to fast) |
| | | 241 ⇄ 255 | No function |
| 5 | Dimmer Speed Mode* | 000 ⇄ 051 | Current dimmer speed mode |
| | | 052 ⇄ 101 | Dimmer speed mode off (linear dimmer) |
| | | 102 ⇄ 152 | Dimmer speed mode 1 (fastest) |
| | | 153 ⇄ 203 | Dimmer speed mode 2 |
| | | 204 ⇄ 255 | Dimmer speed mode 3 (slowest) |



*Hold desired dimmer speed value for 3 seconds, then release. This changes the dimmer speed setting in the menu.

QUICK REFERENCE GUIDE

EN

4 Ch

| Channel | Function | Value | Percent/Setting |
|---------|--------------------|---|---|
| 1 | White 1 | 000 ⇔ 255 | 0–100% |
| 2 | White 2 | 000 ⇔ 255 | 0–100% |
| 3 | Red Shift | 000 ⇔ 000 001 ⇔ 255 | On Off |
| 4 | Dimmer Speed Mode* | 000 ⇔ 051 052 ⇔ 101 102 ⇔ 152 153 ⇔ 203 204 ⇔ 255 | Current dimmer speed mode Dimmer speed mode off (linear dimmer) Dimmer speed mode 1 (fastest) Dimmer speed mode 2 Dimmer speed mode 3 (slowest) |



*Hold desired dimmer speed value for 3 seconds, then release. This changes the dimmer speed setting in the menu.

3 Ch

| Channel | Function | Value | Percent/Setting |
|---------|--------------------|---|---|
| 1 | Dimmer | 000 ⇔ 255 | 0–100% |
| 2 | Red Shift | 000 ⇔ 000 001 ⇔ 255 | On Off |
| 3 | Dimmer Speed Mode* | 000 ⇔ 051 052 ⇔ 101 102 ⇔ 152 153 ⇔ 203 204 ⇔ 255 | Current dimmer speed mode Dimmer speed mode off (linear dimmer) Dimmer speed mode 1 (fastest) Dimmer speed mode 2 Dimmer speed mode 3 (slowest) |



*Hold desired dimmer speed value for 3 seconds, then release. This changes the dimmer speed setting in the menu.

2 Ch

| Channel | Function | Value | Percent/Setting |
|---------|----------|-----------|-----------------|
| 1 | White 1 | 000 ⇔ 255 | 0–100% |
| 2 | White 2 | 000 ⇔ 255 | 0–100% |

1 Ch

| Channel | Function | Value | Percent/Setting |
|---------|----------|-----------|-----------------|
| 1 | Dimmer | 000 ⇔ 255 | 0–100% |

Acerca de Esta Guía

La Guía de Referencia Rápida (GRR) del Strike Array 2 contiene información básica sobre el producto, como montaje, opciones de menú y valores DMX. Descargue el manual de usuario de www.chauvetprofessional.com para más información.

Exención de Responsabilidad

La información y especificaciones contenidas en esta GRR están sujetas a cambio sin previo aviso.

GARANTÍA LIMITADA

PARA VER EL REGISTRO DE GARANTÍA Y LOS TÉRMINOS Y CONDICIONES COMPLETOS, VISITE NUESTRO SITIO WEB.

Para clientes en los Estados Unidos y México: www.chauvetlighting.com/warranty-registration.

Para clientes en Reino Unido, República de Irlanda, Bélgica, Países Bajos, Luxemburgo, Francia y Alemania: www.chauvetlighting.eu/warranty-registration.

Chauvet garantiza que este producto estará libre de defectos de material y mano de obra en condiciones de uso normales, durante el periodo especificado, sujeto siempre a las exclusiones y limitaciones establecidas en la garantía limitada completa de nuestro sitio web. Esta garantía se concede únicamente al comprador original del producto y no es transferible. Para ejercer los derechos que otorga esta garantía, usted debe proporcionar una prueba de compra en forma de un recibo de compra original, expedido por un distribuidor autorizado, donde figure el nombre del producto y la fecha de compra. **NO EXISTEN OTRAS GARANTÍAS EXPRESAS NI IMPLÍCITAS.** Esta garantía le otorga derechos legales específicos. Es posible que a usted le asistan otros derechos, que variarán dependiendo del estado o del país. Esta garantía solamente es válida en los Estados Unidos, Reino Unido, República de Irlanda, Bélgica, Países Bajos, Luxemburgo, Francia, Alemania y México. Para conocer los términos de garantía en otros países, consulte a su distribuidor local.

Notas de Seguridad

- La luminaria debe colocarse de forma que no sea previsible que se mire fijamente hacia ella a una distancia menor de 7,5' (2,3 m).
- Si se daña el cable externo flexible de esta luminaria, se sustituirá con un cable especial o con un cable disponible exclusivamente a través del fabricante o de su agente de servicio técnico.
- Solo el fabricante, su agente de servicio o un técnico de similar cualificación podrán reemplazar la fuente de luz contenida en esta luminaria.
- La luminaria está destinada exclusivamente a un uso profesional.
- NO abra este producto. No contiene piezas reparables por el usuario.
- NO mire a la fuente de luz cuando el producto esté encendido.
- Para evitar un desgaste innecesario y alargar su vida útil, desconecte complemente el producto de la alimentación, mediante el interruptor o desenchufándolo, durante los periodos en los que no se use.
- Cuidado: cuando transfiera el producto desde ambientes con temperatura extrema (p. ej., del remolque frío de un camión a una sala de baile con calor y humedad), puede formarse condensación en la electrónica interna del producto. Para evitar que se produzca una avería, deje que el producto se aclimate completamente al ambiente antes de conectar la alimentación.
- ¡CUIDADO! La carcasa de este producto está caliente cuando las luces están en funcionamiento.
- Monte este producto en una ubicación con ventilación adecuada, al menos a 20" (50 cm) de superficies adyacentes.
- NO deje ningún material inflamable a menos de 20" (50 cm) de este producto mientras esté funcionando o conectado a la alimentación.
- USE un cable de seguridad cuando monte este producto en lo alto.
- NO sumerja este producto (IP65). La operación normal en exteriores es correcta.
- NO ponga en funcionamiento este producto en el exterior o en cualquier ubicación en la que el polvo, calor excesivo, agua o humedad puedan afectarlo.
- NO ponga en funcionamiento este producto si sospecha que la carcasa, lentes o cables están dañados.
- NO conecte este producto a un atenuador o reostato.
- Conecte este producto SOLO a un circuito con toma de tierra y protegido.
- Use SOLAMENTE los soportes de colgar/montar o las asas para mover este producto.
- En caso de un problema grave de funcionamiento, deje de usarlo inmediatamente.
- La máxima temperatura ambiente es de 113 °F (45 °C). No haga funcionar este producto a temperaturas más altas.

Cumplimiento de la FCC

Este dispositivo cumple la parte 15, parte B de las normas FCC. El Funcionamiento está supeditado al cumplimiento de estas dos condiciones:

1. Este dispositivo no puede causar interferencias perjudiciales; y
2. Este dispositivo debe aceptar cualquier interferencia recibida, incluyendo las interferencias que puedan causar un funcionamiento no deseado.

Cualquier cambio o modificación que no haya sido expresamente autorizado por la parte responsable de conformidad puede anular la potestad del usuario para hacer funcionar el equipo.

Contacto

Fuera de EE. UU., Reino Unido, Irlanda, Benelux, Francia, Alemania o México póngase en contacto con su distribuidor para solicitar asistencia o devolver un producto. Consulte [Contact Us](#) al final de este GRR para información de contacto.

Qué va Incluido

- Strike Array 2
- Cable de alimentación Seetronic Powerkon IP65
- Soporte Omega
- Guía de Referencia Rápida

Corriente Alterna

Este producto tiene una fuente de alimentación con detección automática que puede funcionar con un rango de tensión de entrada de 100–240 VCA, 50/60 Hz.

Alimentación en cadena

Puede enlazar hasta 11 productos Strike Array 2 a 100 V, 13 productos a 120 V, 22 productos a 208 V, 24 productos a 230 V o 25 productos a 240 V. Los cables de alimentación en cadena se pueden adquirir por separado.

Enchufe CA

| Conexión | Cable (EE.UU) | Cable (Europa) | Color del Tornillo |
|------------|----------------|----------------|--------------------|
| CA Cargado | Negro | Marrón | Amarillo/Bronce |
| CA Neutro | Blanco | Azul | Plata |
| CA Tierra | Verde/Amarillo | Verde/Amarillo | Verde |



Para evitar un desgaste innecesario y alargar su vida útil, desconecte completamente el producto de la alimentación, mediante el interruptor o desenchufándolo, durante los periodos en los que no se use.

Enlace DMX

El Strike Array 2 funcionará con un controlador DMX usando una conexión serie DMX normal. Hay un Manual DMX disponible en www.chauvetprofessional.com.

Conexión DMX

El Strike Array 2 usa una conexión de datos DMX normal para sus personalidades DMX: que van de 1 Ch, 2 Ch, 3 Ch, 4 Ch, 5 Ch, a 8 Ch.

Conexión Maestro/Eslavo

El Strike Array 2 usa la conexión de datos DMX para su modo Maestro/Eslavo. Vea el Manual de usuario para conectar y configurar para funcionamiento Maestro/Eslavo.

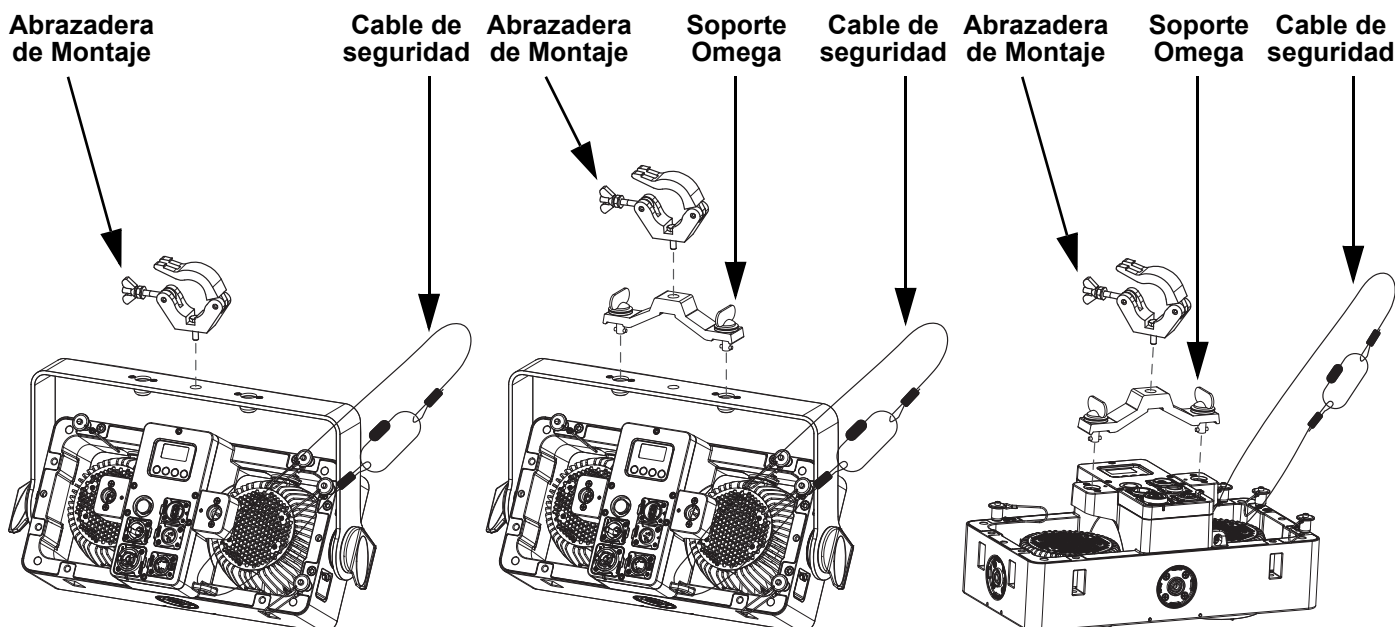
RDM (gestión remota del dispositivo)

Remote Device Management (gestión remota del dispositivo) o RDM, es un estándar que permite a los dispositivos con capacidad DMX una comunicación bidireccional por un cableado DMX existente. El Strike Array 2 admite protocolo RDM, que posibilita información para supervisar cambiar las opciones del mapa de menú. Descargue el manual de usuario de www.chauvetprofessional.com para una información más detallada.

Montaje

Antes de montar este producto, lea las [Notas de Seguridad](#). Asegúrese de que las abrazaderas de montaje son capaces de soportar el peso del producto. Para nuestra línea Chauvet de abrazaderas de montaje, visite <http://trusst.com/productcategory/truss-clamps/>.

Diagrama de Montaje del Producto

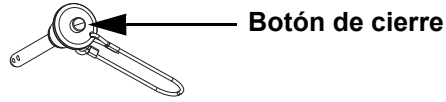


Montaje Multiproducto

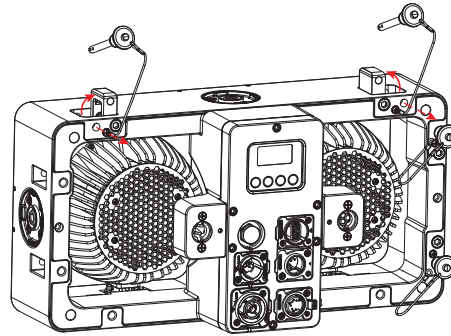
El Strike Array 2 tiene un sistema de entrelazado para conectar varios Strike Array 2 o Strike Array 4 entre sí, vertical o horizontalmente. Asegúrese de que las abrazaderas de montaje son capaces de soportar el peso del producto. Para nuestra línea Chauvet de abrazaderas de montaje, visite <http://trusst.com/productcategory/truss-clamps/>.

Diagrama de montaje multiproducto

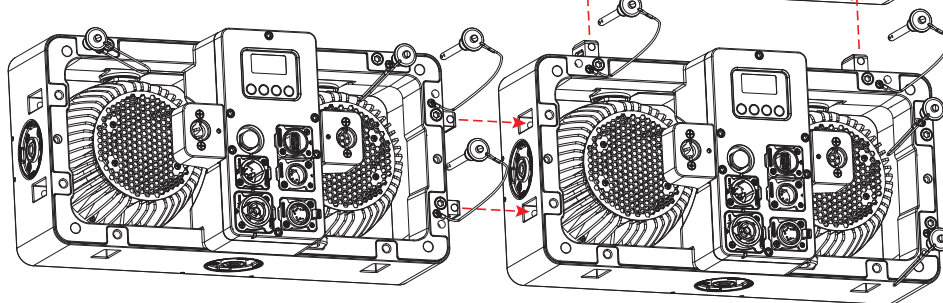
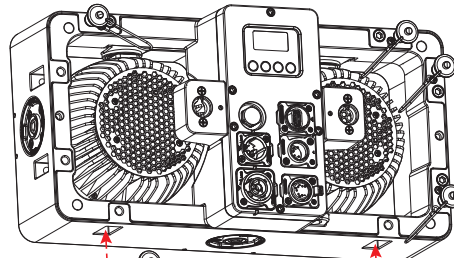
Presione y mantenga presionado el botón de cierre para quitar o insertar la clavija de retención



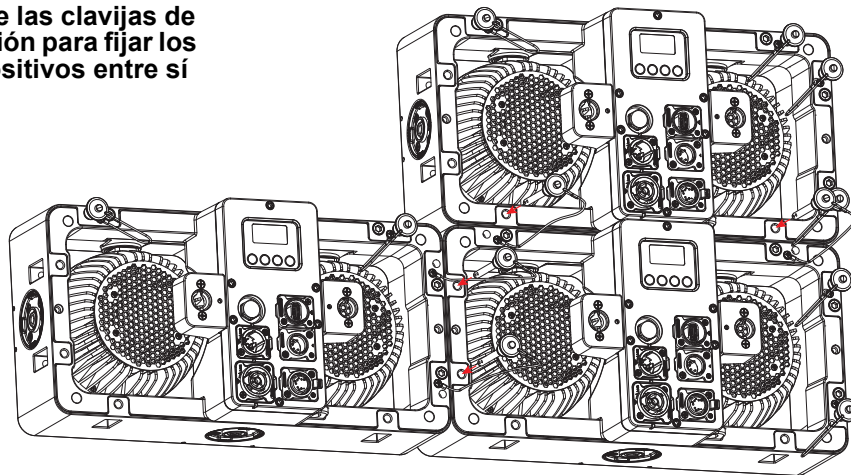
Quite las clavijas de retención para soltar los equipos para colgar integrados



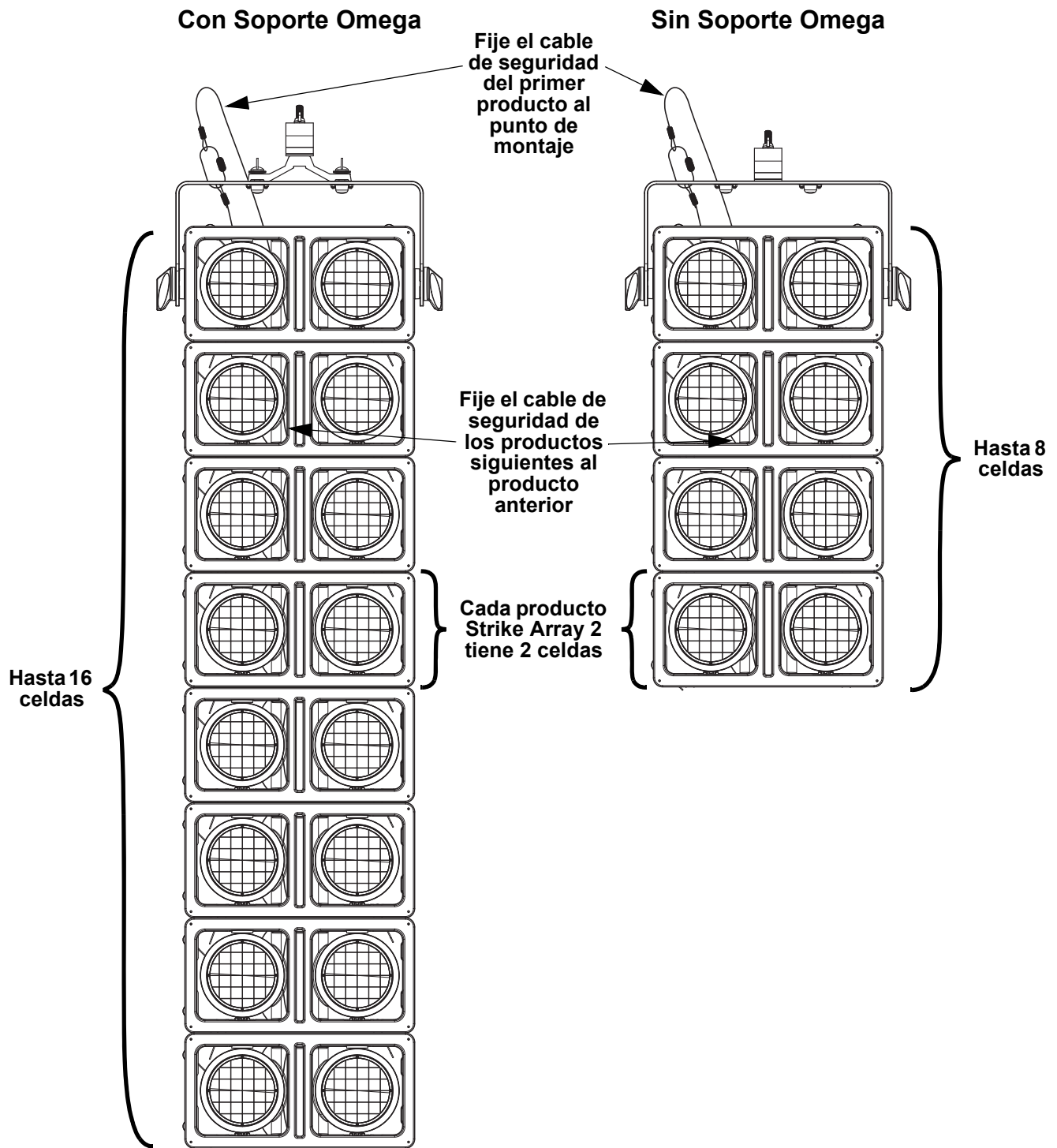
Inserte los equipos para colgar integrados en la abertura del siguiente dispositivo (vertical o horizontalmente)



Inserte las clavijas de retención para fijar los dispositivos entre sí



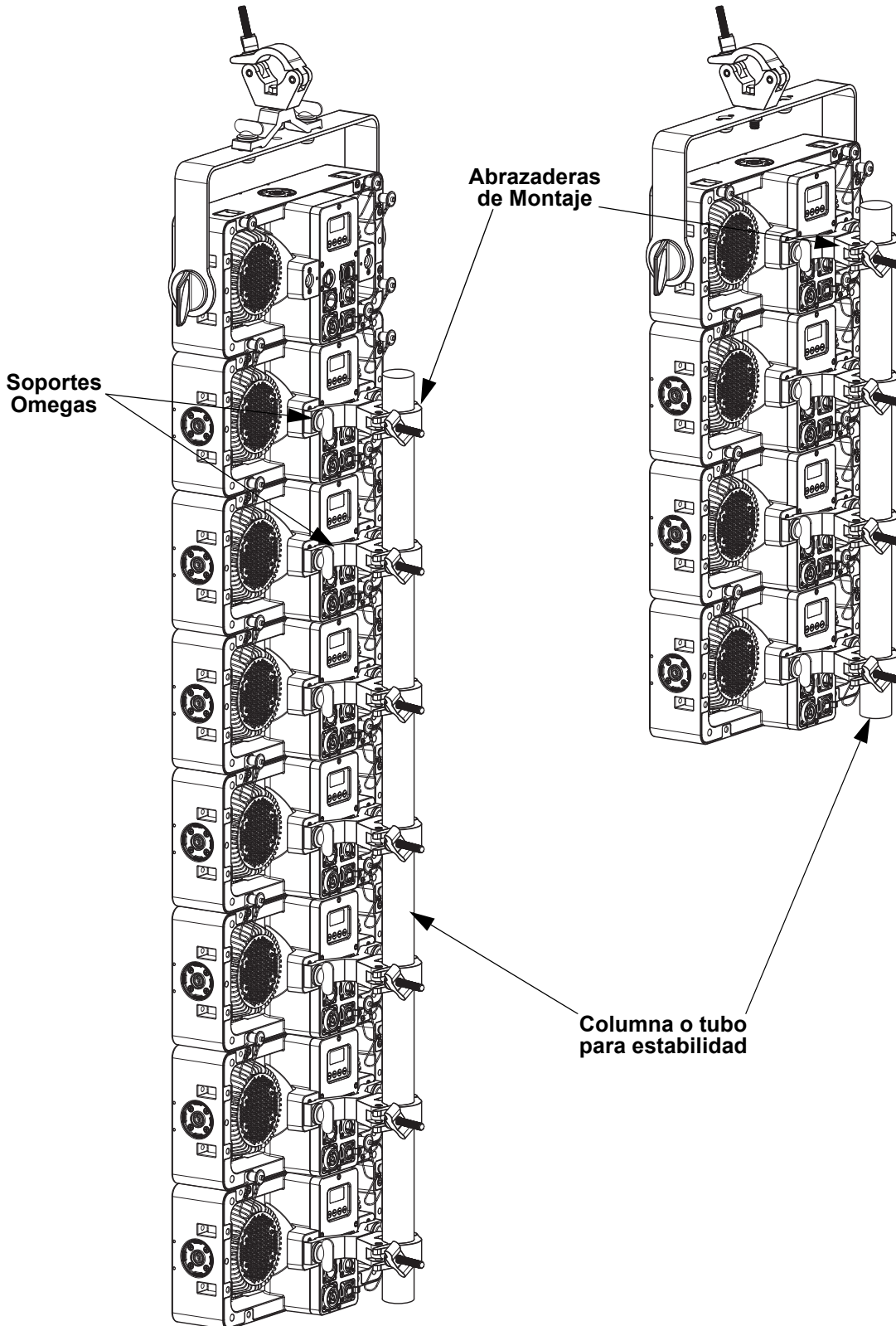
Montaje de productos acoplados en serie



- Cuando usa el soporte omega, nunca acople más de 16 células juntos cuando los cuelgue verticalmente de un solo punto de montaje.
- Cuando no usa el soporte omega, nunca acople más de 8 células juntos cuando los cuelgue verticalmente de un solo punto de montaje.

Estabilidad del montaje vertical

Cuando monte de productos acoplados en serie, utilice soportes Omega en la posición trasera para crear una espina dorsal. Esto evitará cualquier movimiento que dañe los productos.



Descripción del Panel de Control

| Botón | Función |
|---------|--|
| <MENU> | Salte del menú o función actual |
| <ENTER> | Habilita el menú actualmente en pantalla o configura el valor seleccionado actualmente dentro de la función seleccionada |
| <UP> | Navega hacia arriba por la lista de menú o aumenta el valor numérico cuando está en una función |
| <DOWN> | Navega hacia abajo por la lista de menú o disminuye el valor numérico cuando está en una función |

Código de acceso

Después de que se le solicite, introduzca el siguiente código de acceso pulsando: <UP>, <DOWN>, <UP>, <DOWN>, <ENTER>. Este código no se puede cambiar y se debe usar cuando se le solicite.

Mapa de Menú

Consulte la página del producto Strike Array 2 en www.chauvetprofessional.com para ver el último mapa de menú.

| Menú Principal | Niveles de Programación | | Descripción |
|----------------------|-------------------------|----------------------|---|
| Start Address | 001–512* | | Selecciona la dirección de inicio (*canal más alto restringido a la elección de personalidad) |
| DMX Channel | 1 Ch | | 1 canal: atenuador |
| | 2 Ch | | 2 canales: blanco 1, blanco 2 |
| | 3 Ch | | 3 canales: atenuador, cambio a rojo, modo de velocidad del atenuador |
| | 4 Ch | | 4 canales: blanco 1, blanco 2, cambio a rojo, modo de velocidad del atenuador |
| | 5 Ch | | 5 canales: atenuador, cambio a rojo, estroboscopio, programas automáticos, modo de velocidad del atenuador |
| | 8 Ch | | 8 canales: atenuador, 16 bits atenuador, cambio a rojo, estroboscopio, blanco 1, blanco 2, programas automáticos, modo de velocidad del atenuador |
| Static | Dimmer | 000–255 | Ajusta la intensidad de la emisión de la luz |
| | Strobe | | Selecciona la frecuencia de estroboscopio |
| Auto Show | Auto 1–6 | Speed 001–100 | Selecciona programas automáticos y velocidad de programas automáticos |
| Red Shift | On | | Apaga o enciende el cambio a rojo (los LED ámbar imitan una lámpara cuando se atenúan) |
| | Off | | |
| Master/Slave | Master | | Modo maestro |
| | Slave | | Modo esclavo |
| | Off | | Atenuador lineal |
| Dimmer Mode | Dimmer 1 | | Curva de atenuador rápida |
| | Dimmer 2 | | Curva de atenuador media |
| | Dimmer 3 | | Curva de atenuador lenta |
| | Off | | |
| LED Frequency | 600Hz | | Selecciona la frecuencia de emisión PWM |
| | 1200Hz | | |
| | 2000Hz | | |
| | 4000Hz | | |
| | 25KHz | | |
| Back Light | 10S | | Retro-iluminación de la pantalla se apaga después de 10 segundos de inactividad |
| | 30S | | Retro-iluminación se apaga después de 30 segundos |
| | 2Min | | Retro-iluminación se apaga después de 2 minutos |
| | Always On | | Retro-iluminación de la pantalla siempre activa |
| Key Lock | On | | Bloquea la pantalla (la contraseña es <UP>, <DOWN>, <UP>, <DOWN>, <ENTER>) |
| | Off | | |

| Menú Principal | Niveles de Programación | | Descripción |
|--------------------|-------------------------|--|---|
| Information | Fixture Hours | ___ H | Muestra el nombre total de las horas del producto |
| | LED Hours | ___ H | Muestra el total de horas que las luces LED han estado encendidas |
| | Version | V_._ | Muestra instalada la versión de software |
| | UID | ----- | Muestra actual UID # |
| Temperature | LED1: | __ °C | Temperatura individual de la unidad |
| | LED2: | | |
| Update Firmware | Only This Unit | -----CHL | Muestra los archivos de actualización para este producto, o muestra "No such file!" |
| | | ... | |
| | Multiple Units | -----CHL | Muestra los archivos de actualización para este producto y productos Strike Array 2 conectados, o muestra "No such file!" |
| | | ... | |
| Other Fixture Type | -----CHL | Muestra los archivos de actualización para otros productos conectados, o muestra "No such file!" | |
| | ... | | |
| Factory Reset | No | | Reinicia a la configuración de fábrica |
| | Yes | | |

Actualización de software USB

El Strike Array 2 permite la actualización de software por USB utilizando el puerto USB incorporado. Para actualizar el software utilizando una unidad USB, haga lo siguiente:

1. Encienda el aparato y conecte la unidad USB al puerto USB.
2. Una vez detectada la unidad, aparecerá el mensaje "Actualizar firmware". Pulse **ENTER**.
 - Si aparece un mensaje diferente en la pantalla, busque el software actualizado en el menú (**Update Firmware**) y seleccione de **Only This Unit**, **Multiple Units** o **Other Fixture Type**. Se mostrará una lista de los archivos de software actualizados.
3. Seleccione el archivo que necesite cargarse. Aparecerá el mensaje "¿Está seguro?" Pulse **ENTER**.
4. Si el archivo seleccionado es correcto, se completará la mejora. Reinicie el aparato.
 - Si el archivo seleccionado es incorrecto, la mejora fallará y la pantalla volverá a la interfaz principal. Repita los pasos 1-3 utilizando el archivo correcto.



El archivo con formato .chl tiene que colocarse en la carpeta "STRIKE" en la unidad USB.



La opción "Other Fixture Type" solo se puede seleccionar para productos conectados compatibles con la Upload 03 (los primeros 2 dígitos del código del artículo deben ser 03).

ES

Valores DMX

8 Ch

| Canal | Función | Valor | Porcentaje/Configuración |
|-------|----------------------|--|---|
| 1 | Atenuador | 000 ⇔ 255 | 0–100% |
| 2 | Atenuador fino | 000 ⇔ 255 | 0–100% |
| 3 | Cambio a rojo | 000 ⇔ 000 001 ⇔ 255 | Encendido Apagado |
| 4 | Estroboscopio | 000 ⇔ 010 011 ⇔ 132 133 ⇔ 255 | Sin función Estroboscopio, lento a rápido (todas las vainas) Estroboscopio, lento a rápido (aleatorio) |
| 5 | Blanco 1 | 000 ⇔ 255 | 0–100% |
| 6 | Blanco 2 | 000 ⇔ 255 | 0–100% |
| 7 | Programas de auto | 000 ⇔ 010 011 ⇔ 040 041 ⇔ 080 081 ⇔ 120 121 ⇔ 160 161 ⇔ 200 201 ⇔ 240 241 ⇔ 255 | Sin función Auto 1 Auto 2 Auto 3 Auto 4 Auto 5 Auto 6 Sin función |
| 8 | Velocidad Atenuador* | 000 ⇔ 051 052 ⇔ 101 102 ⇔ 152 153 ⇔ 203 204 ⇔ 255 | Modo de velocidad del atenuador actual Modo velocidad del atenuador desactivado Velocidad de atenuador 1 (rápida) Velocidad de atenuador 2 Velocidad de atenuador 3 (lenta) |



*Mantenga el valor deseado de la velocidad del atenuador durante 3 segundos, y luego suelte. Esto cambia la configuración de velocidad de atenuador en el menú.

5 Ch

| Canal | Función | Valor | Porcentaje/Configuración |
|-------|----------------------|--|---|
| 1 | Atenuador | 000 ⇔ 255 | 0–100% |
| 2 | Cambio a rojo | 000 ⇔ 000 001 ⇔ 255 | Encendido Apagado |
| 3 | Estroboscopio | 000 ⇔ 010 011 ⇔ 132 133 ⇔ 255 | Sin función Estroboscopio, lento a rápido (todas las vainas) Estroboscopio, lento a rápido (aleatorio) |
| 4 | Programas de auto | 000 ⇔ 010 011 ⇔ 040 041 ⇔ 080 081 ⇔ 120 121 ⇔ 160 161 ⇔ 200 201 ⇔ 240 241 ⇔ 255 | Sin función Auto 1 Auto 2 Auto 3 Auto 4 Auto 5 Auto 6 Sin función |
| 5 | Velocidad Atenuador* | 000 ⇔ 051 052 ⇔ 101 102 ⇔ 152 153 ⇔ 203 204 ⇔ 255 | Modo de velocidad del atenuador actual Modo velocidad del atenuador desactivado Velocidad de atenuador 1 (rápida) Velocidad de atenuador 2 Velocidad de atenuador 3 (lenta) |



*Mantenga el valor deseado de la velocidad del atenuador durante 3 segundos, y luego suelte. Esto cambia la configuración de velocidad de atenuador en el menú.

4 Ch

| Canal | Función | Valor | Porcentaje/Configuración |
|-------|----------------------|---|---|
| 1 | Blanco 1 | 000 ⇔ 255 | 0–100% |
| 2 | Blanco 2 | 000 ⇔ 255 | 0–100% |
| 3 | Cambio a rojo | 000 ⇔ 000 001 ⇔ 255 | Encendido Apagado |
| 4 | Velocidad Atenuador* | 000 ⇔ 051 052 ⇔ 101 102 ⇔ 152 153 ⇔ 203 204 ⇔ 255 | Modo de velocidad del atenuador actual Modo velocidad del atenuador desactivado Velocidad de atenuador 1 (rápida) Velocidad de atenuador 2 Velocidad de atenuador 3 (lenta) |



***Mantenga el valor deseado de la velocidad del atenuador durante 3 segundos, y luego suelte. Esto cambia la configuración de velocidad de atenuador en el menú.**

3 Ch

| Canal | Función | Valor | Porcentaje/Configuración |
|-------|----------------------|---|---|
| 1 | Atenuador | 000 ⇔ 255 | 0–100% |
| 2 | Cambio a rojo | 000 ⇔ 000 001 ⇔ 255 | Encendido Apagado |
| 3 | Velocidad Atenuador* | 000 ⇔ 051 052 ⇔ 101 102 ⇔ 152 153 ⇔ 203 204 ⇔ 255 | Modo de velocidad del atenuador actual Modo velocidad del atenuador desactivado Velocidad de atenuador 1 (rápida) Velocidad de atenuador 2 Velocidad de atenuador 3 (lenta) |



***Mantenga el valor deseado de la velocidad del atenuador durante 3 segundos, y luego suelte. Esto cambia la configuración de velocidad de atenuador en el menú.**

2 Ch

| Canal | Función | Valor | Porcentaje/Configuración |
|-------|----------|-----------|--------------------------|
| 1 | Blanco 1 | 000 ⇔ 255 | 0–100% |
| 2 | Blanco 2 | 000 ⇔ 255 | 0–100% |

1 Ch

| Canal | Función | Valor | Porcentaje/Configuración |
|-------|-----------|-----------|--------------------------|
| 1 | Atenuador | 000 ⇔ 255 | 0–100% |

À Propos de ce Manuel

Le Manuel de Référence du (MR) Strike Array 2 reprend des informations de base sur ce produit notamment en matière de connexions, montage, options de menu et valeurs DMX. Téléchargez le manuel d'utilisation sur www.chauvetprofessional.com pour de plus amples informations.

Clause de Non-Responsabilité

Les informations et caractéristiques contenues dans ce manuel sont sujettes à changement sans préavis.

GARANTIE LIMITÉE

VEUILLEZ VISITER NOTRE SITE INTERNET POUR CONSULTER LES MODALITÉS D'ENREGISTREMENT DE LA GARANTIE ET LES CONDITIONS GÉNÉRALES COMPLÈTES.

Pour les clients aux États-Unis et au Mexique: www.chauvetlighting.com/warranty-registration.

Pour les clients du Royaume-Uni, de la République d'Irlande, de la Belgique, des Pays-Bas, du Luxembourg, de la France et de l'Allemagne: www.chauvetlighting.eu/warranty-registration.

Chauvet garantit que cet appareil est exempt de défauts de matériaux et de fabrication dans des conditions normales d'utilisation, pendant la période spécifiée dans la garantie limitée complète consultable sur notre site Internet et sous réserve des exclusions et limitations qui y sont énoncées. Cette garantie ne s'applique qu'à l'acheteur initial du produit et n'est pas transférable. Pour exercer les droits prévus par cette garantie, vous devez fournir une preuve d'achat sous la forme d'un reçu de vente original d'un revendeur autorisé qui indique le nom du produit et la date d'achat. IL N'EXISTE AUCUNE AUTRE GARANTIE EXPRESSE OU IMPLICITE. Cette garantie vous confère des droits légaux spécifique. Vous pouvez également bénéficier d'autres droits qui varient selon les états et les pays. Cette garantie n'est valable qu'aux États-Unis, au Royaume-Uni, en République d'Irlande, en Belgique, aux Pays-Bas, au Luxembourg, en France, en Allemagne et au Mexique. Pour connaître les conditions de garantie dans d'autres pays, veuillez consulter votre revendeur local.

Consignes de Sécurité

- Le luminaire doit être placé de manière à ce qu'il ne soit pas possible de le regarder de manière fixe à une distance inférieure à 7,5' (2,3 m).
- Si le câble ou le cordon flexible externe de ce luminaire est endommagé, il doit être remplacé par un câble ou cordon spécial disponible exclusivement auprès du fabricant ou de son prestataire de service.
- La source lumineuse contenue dans ce luminaire ne peut être remplacée que par le fabricant ou son prestataire de service ou une personne suffisamment qualifiée.
- Ce luminaire est uniquement réservé à un usage professionnel.
- N'ouvrez PAS ce produit. Il ne contient aucun composant susceptible d'être réparé par l'utilisateur.
- Ne regardez PAS la source lumineuse lorsque le produit fonctionne.
- Durant les périodes de non-utilisation, pour éviter tout usure inutile et pour prolonger la durée de vie, déconnectez-entièrement l'appareil en le débranchant de l'alimentation électrique ou en coupant le disjoncteur.
- ATTENTION : Lorsque l'appareil est transféré d'un environnement à température extrême à un autre (par exemple d'un camion froid vers une salle de bal chaude et humide), de la condensation peut se former sur les composants électriques internes. Pour éviter de causer des dommages, laissez l'appareil s'acclimater entièrement au milieu environnant avant de le mettre sous tension.
- ATTENTION : le boîtier de ce produit est brûlant lors du fonctionnement.
- Montez toujours ce produit dans un endroit bien ventilé, à au moins, 20 pouces (50 cm) des surfaces adjacentes.
- Ne laissez AUCUNE source inflammable dans un rayon de 20 pouces (50 cm) du produit lorsque celui-ci fonctionne.
- Utilisez TOUJOURS un câble de sécurité lorsque vous montez ce produit en hauteur.
- N'immergez PAS ce produit (IP 65). Un usage normal en extérieur est autorisé.
- N'utilisez PAS ce produit si le boîtier, les lentilles ou les câbles vous semblent endommagés.
- Ne connectez PAS ce produit ni à un gradateur ni à un rhéostat.
- Connectez UNIQUEMENT ce produit à un circuit protégé et relié à la terre.
- Transportez/Suspendez ce produit UNIQUEMENT au moyen de la poignée ou lyre de suspension dont il est doté.
- En cas de sérieux problèmes de fonctionnement, arrêtez le système immédiatement.
- La température ambiante maximale supportée par ce produit est de 113 °F (45 °C). Ne le faites pas fonctionner à des températures plus élevées.

Conformité FCC

Cet appareil est conforme à la partie 15, sous-partie B du règlement de la FCC. L'utilisation est soumise aux deux conditions suivantes:

1. Cet appareil ne doit pas causer d'interférences nuisibles, et
2. Cet appareil doit accepter toutes les interférences reçues, y compris celles pouvant entraîner un fonctionnement indésirable.

Tout changement ou modification non expressément approuvé par l'autorité responsable de la conformité pourrait annuler le droit de l'utilisateur à utiliser l'équipement.

Contact

En dehors des États-Unis, du Royaume-Uni, de l'Irlande, du Benelux, de la France, de l'Allemagne ou du Mexique, contactez votre fournisseur si vous avez besoin d'assistance ou pour retourner un appareil. Référez-vous à [Contact Us](#) à la fin de ce MdR pour obtenir des informations pour nous contacter.

Ce qui est Inclus

- Strike Array 2
- Un cordon d'alimentation Seetronic Powerkon IP65
- Supports Omega
- Manuel de Référence

Alimentation CA

Ce produit est doté d'une alimentation universelle prenant en charge toute tension d'entrée comprise entre 100 et 240 VCA, 50/60 Hz.

Connexion Électrique

Vous pouvez connecter jusqu'à 11 Strike Array 2 à 100 V, 13 unités à 120 V, 22 unités à 208 V, 24 unités à 230 V ou 25 unités à 240 V. Vous pouvez vous procurer séparément des cordons d'alimentation.

Prise CA

| Connexion | Câble (États-Unis) | Câble (Europe) | Couleur de la Vis |
|---------------|--------------------|----------------|-------------------|
| Conducteur CA | Noir | Marron | Jaune/Cuivré |
| Neutre CA | Blanc | Bleu | Argenté |
| Terre CA | Vert/Jaune | Vert/Jaune | Vert |



Durant les périodes de non-utilisation, pour éviter toute usure inutile et pour prolonger la durée de vie, déconnectez-entièrement l'appareil en le débranchant de l'alimentation électrique ou en coupant le disjoncteur.

Raccordement DMX

Le Strike Array 2 fonctionnera avec un jeu d'orgues DMX au moyen de connexions DMX en série standard. Une introduction au DMX est à votre disposition sur www.chauvetprofessional.com.

Connexion DMX

Le Strike Array 2 utilise une connexion de données DMX standard pour ses personnalités DMX : 1Ch, 2Ch, 3Ch, 4Ch, 5Ch, et 8Ch. Consultez le Manuel d'Utilisation pour connecter et configurer le système DMX.

Connexion Maître/Esclave

Le Strike Array 2 utilise une connexion de données DMX pour son mode Maître/Esclave. Consultez le Manuel d'Utilisation pour connecter et configurer le mode de fonctionnement Maître/Esclave.

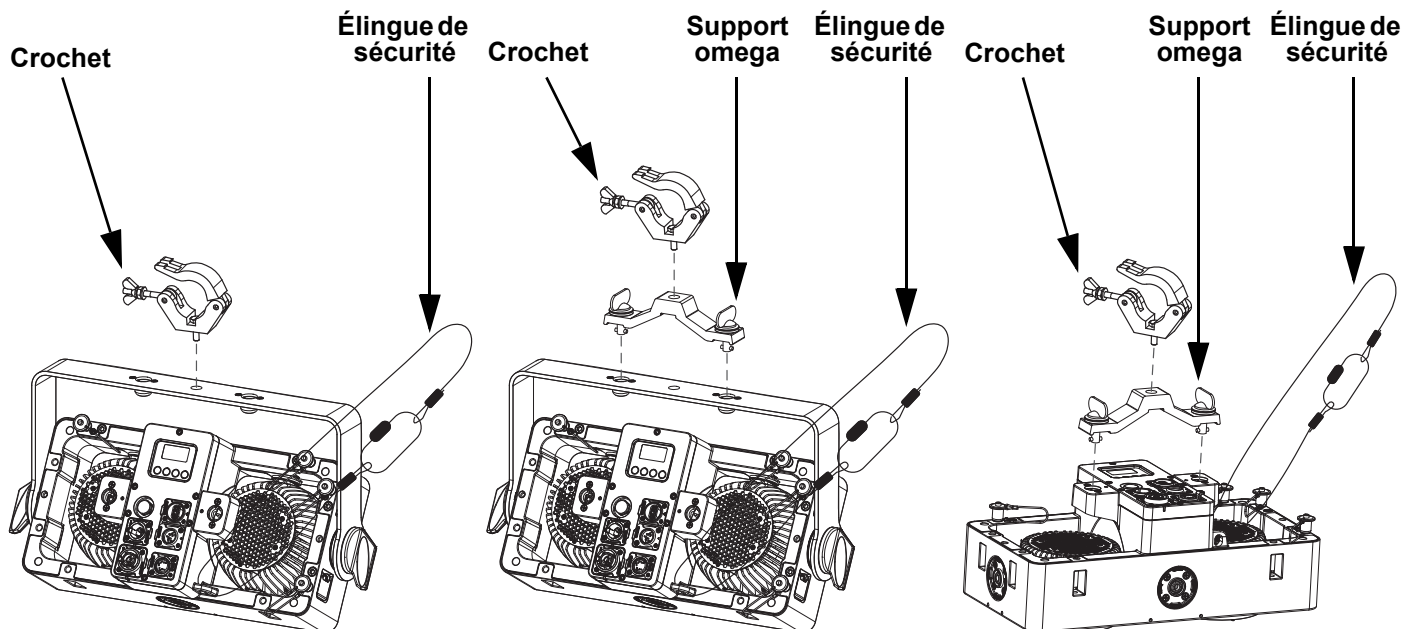
RDM (Gestion des périphériques à distance)

Le protocole RDM (gestion des périphériques à distance) est un standard pour la communication bidirectionnelle des appareils dotés de fonctions DMX dans un câblage DMX existant. Le Strike Array 2 supporte le protocole RDM permettant un retour d'information pour la surveillance et des changements des options de menu. Veuillez télécharger le manuel de l'utilisateur à partir du site internet www.chauvetprofessional.com pour plus de détails.

Installation

Avant de monter cet appareil, lisez et assimilez les [Consignes de Sécurité](#). Veillez à ce que les fixations sont capables de supporter le poids de l'unité. Découvrez notre gamme de fixations Chauvet sur <http://trusst.com/productcategory/truss-clamps/>.

Schéma de Montage de l'appareil

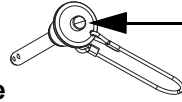


Multi-Product Mounting

Le Strike Array 2 dispose d'un système de verrouillage pour connecter plusieurs Strike Array 2 ou Strike Array 4 ensemble, verticalement ou horizontalement. Veillez à ce que les fixations sont capables de supporter le poids de l'unité. Découvrez notre gamme de fixations Chauvet sur <http://trusst.com/productcategory/truss-clamps/>.

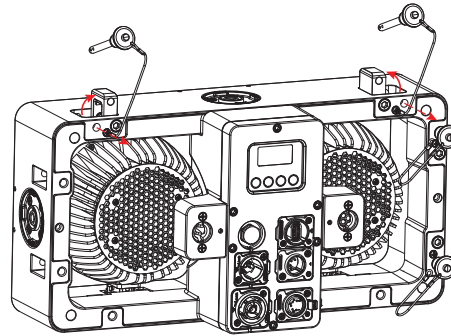
Multi-Product Mounting Diagram

Appuyez sur le bouton de verrouillage et maintenez-le enfoncé pour enlever ou insérez les goupilles de retenue

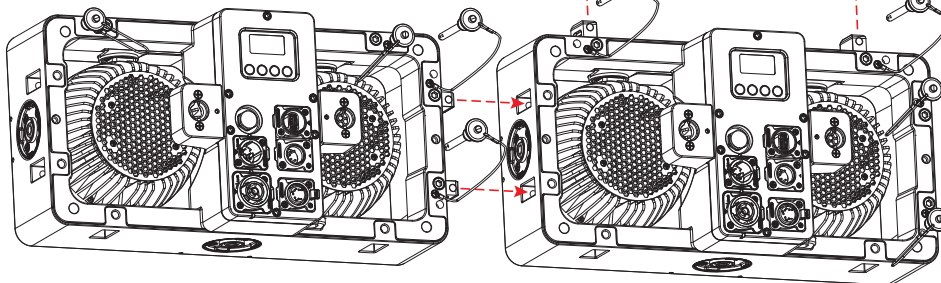
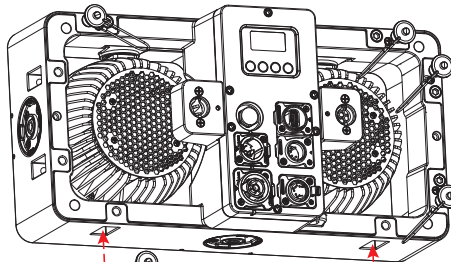


Bouton de verrouillage

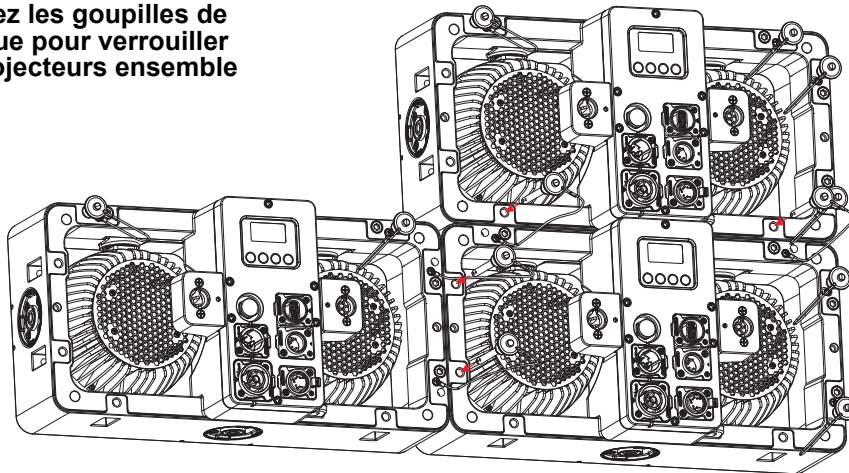
Enlevez les goupilles de retenue pour libérer les matériaux de suspension intégrés



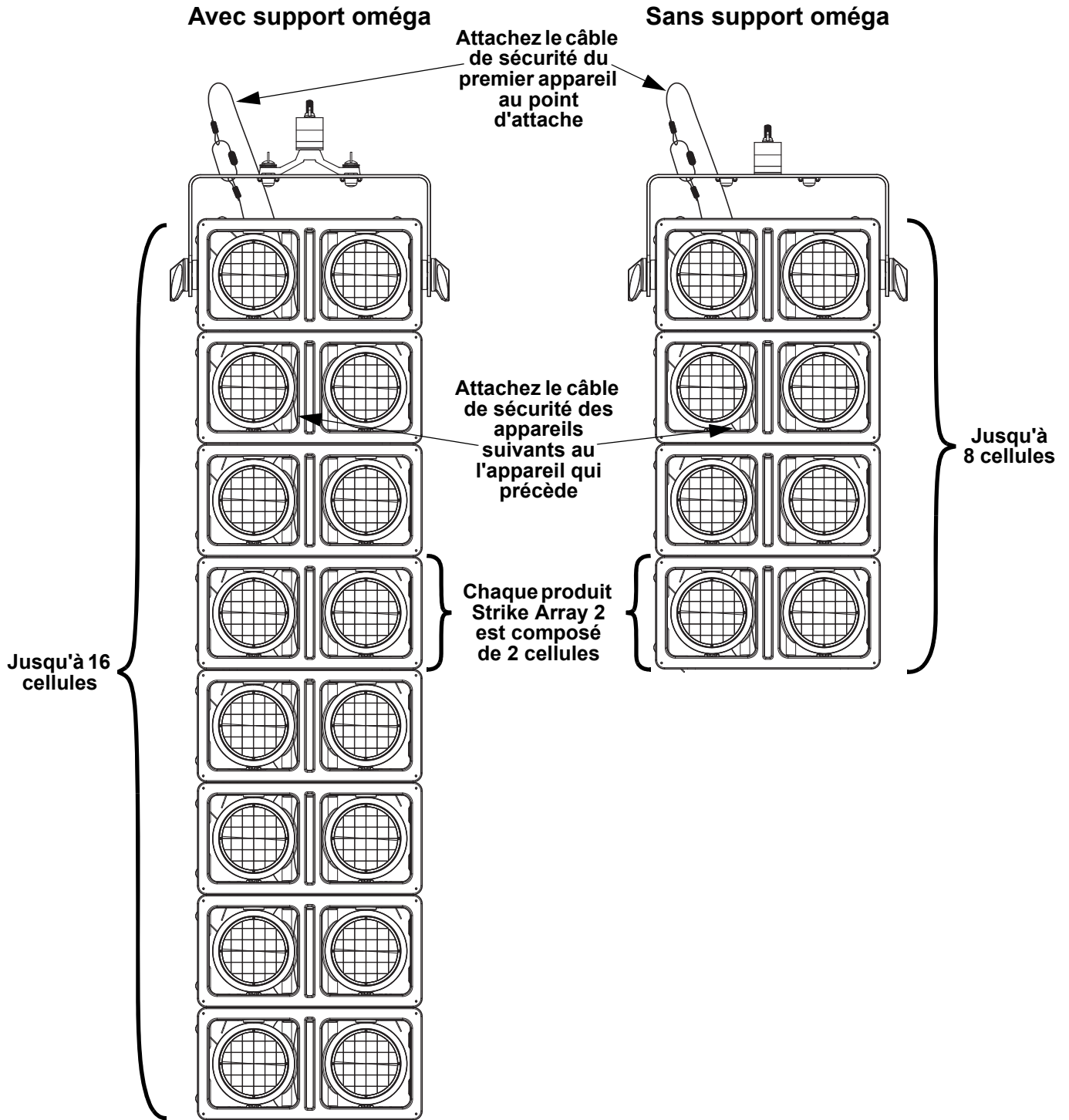
Insérez les matériaux de suspension intégrés dans les trous prévus à cet effet dans le projecteur suivant (verticalement ou horizontalement)



Insérez les goupilles de retenue pour verrouiller les projecteurs ensemble



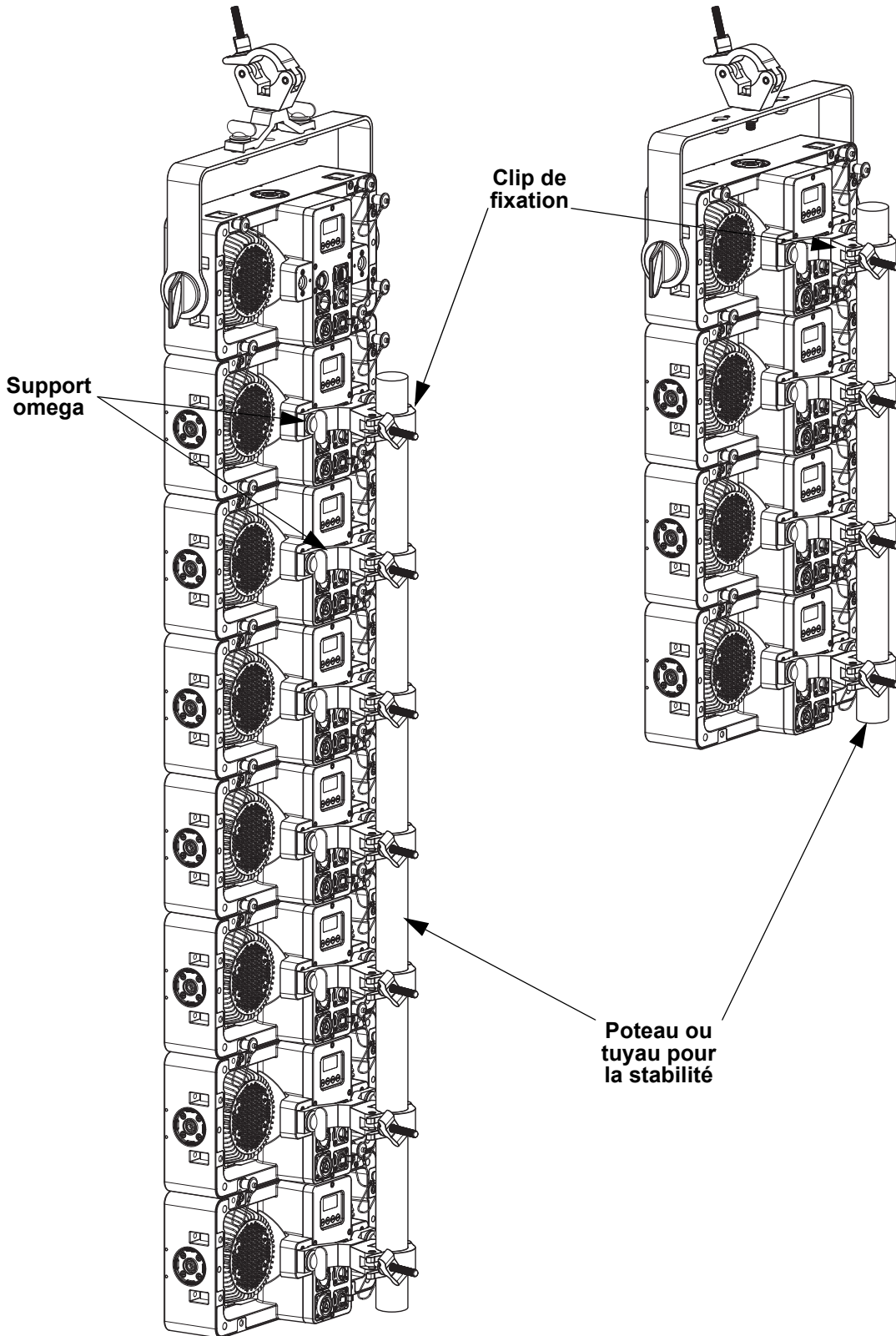
Fixation des appareils attachés en série



- Lors de l'utilisation du le support oméga, n'attachez jamais plus de 16 cellules ensemble en suspension verticale à partir d'un même point d'attache.
- Lorsque vous n'utilisez pas le support oméga, n'attachez jamais plus de 8 cellules ensemble en suspension verticale à partir d'un même point d'attache.

Stabilité de montage à la verticale

Lors de la fixation d'appareils attachés en série, utilisez des pattes de fixation Omega en position arrière pour former une structure dorsale. Cela permettra d'éviter tout mouvement susceptible d'endommager les produits.



Description du Tableau de Commandes

| Bouton | Fonction |
|---------|---|
| <MENU> | Permet la sortie du menu ou de la fonction en cours |
| <ENTER> | Permet l'affichage du menu en cours ou permet de configurer la valeur en cours dans la fonction sélectionnée |
| <UP> | Permet de parcourir les listes ou les menus vers le haut, dans une fonction permet d'augmenter les valeurs numériques |
| <DOWN> | Permet de parcourir les listes ou les menus vers le bas, dans une fonction permet de diminuer les valeurs numériques |

Code d'accès

Une fois affiché, saisissez le code d'accès suivant comme suit: <UP>, <DOWN>, <UP>, <DOWN>, <ENTER>. Ce code ne peut pas être modifié et doit être saisi sur demande.

Tableau de Menu

Reportez-vous à la page du produit Strike Array 2 sur www.chauvetprofessional.com pour la dernière carte des menu.

| Menu Principal | Niveaux de Programmation | | Description |
|----------------------|--------------------------|----------------------|---|
| Start Address | 001–512* | | Permet de sélectionner l'adresse de démarrage (*le canal le plus élevé est restreint à la personnalité choisie) |
| DMX Channel | 1 Ch | | 1-canal: gradation |
| | 2 Ch | | 2-canaux: Blanc 1, blanc 2 |
| | 3 Ch | | 3-canaux: gradation, passe au rouge, mode de vitesse du gradation |
| | 4 Ch | | 4-canaux: Blanc 1, blanc 2, passe au rouge, mode de vitesse du gradation |
| | 5 Ch | | 5-canaux: gradation, passe au rouge, stroboscope, programmes automatiques, mode de vitesse du gradation |
| | 8 Ch | | 8-canaux: gradation, gradation 16-bit, passe au rouge, stroboscope, blanc 1, blanc 2, programmes automatiques, mode de vitesse du gradation |
| Static | Dimmer | 000–255 | Définit l'intensité de la sortie de lumière |
| | Strobe | | Sélectionne la fréquence du stroboscope |
| Auto Show | Auto 1–6 | Speed 001–100 | Sélectionne les programmes automatiques et vitesse auto |
| Red Shift | On | | Active ou désactive la fonction passe au rouge (les LED ambre imitent une lampe lors de la gradation) |
| | Off | | |
| Master/Slave | Master | | Mode maître |
| | Slave | | Mode esclave |
| Dimmer Mode | Off | | Assombrissement linéaire |
| | Dimmer 1 | | Courbe de gradation rapide |
| | Dimmer 2 | | Courbe de gradation intermédiaire |
| | Dimmer 3 | | Courbe d'assombrissement lente |
| LED Frequency | 600Hz | | Permet de sélectionner la fréquence de sortie MLI |
| | 1200Hz | | |
| | 2000Hz | | |
| | 4000Hz | | |
| | 25KHz | | |
| Back Light | 10S | | Désactive l'affichage rétro-éclairage après 10 secondes d'inactivité |
| | 30S | | Désactive le rétro-éclairage après 30 secondes d'inactivité |
| | 2Min | | Désactive le rétro-éclairage après 2 minutes d'inactivité |
| | Always On | | Affichage rétro-éclairage toujours active |
| Key Lock | On | | Verrouillage de l'affichage (le mot de passe et <UP>, <DOWN>, <UP>, <DOWN>, <ENTER>) |
| | Off | | |
| Information | Fixture Hours | ___ H | Affiche le nombre total des heures du produit |
| | LED Hours | ___ H | Affiche le nombre total d'heures pendant lesquelles les lumières LED ont été allumées |
| | Version | V_._ | Affiche la version du logiciel installée |
| | UID | ----- | Affiche UID actuel # |

| Menu Principal | Niveaux de Programmation | | Description |
|-----------------|--------------------------|--------------------|--|
| Temperature | LED1: | __ °C | Température de chaque module |
| | LED2: | | |
| Update Firmware | Only This Unit | _____.CHL ... | Sélectionne un fichier de mise à jour pour ce produit, ou affiche «No such file!» |
| | Multiple Units | _____.CHL ... | Sélectionne un fichier de mise à jour pour ce produit et des produits Strike Array 2 connectés, ou affiche «No such file!» |
| | | Other Fixture Type | |
| Factory Reset | No Yes | | Permet de réinitialiser aux valeurs par défaut d'usine |

Mise à jour logicielle par USB

Le Strike Array 2 supporte une mise à jour logicielle par USB à l'aide du port USB intégré. Pour mettre à jour le logiciel à l'aide d'une clé USB, procédez comme suit :

1. Allumez l'appareil et branchez la clé USB dans le port USB.
2. Une fois que la clé USB a été détectée, le message «**Upgrade Firmware**» (mise à jour du micrologiciel) s'affiche. Appuyez sur **ENTER** (entrée).
 - Si un message différent apparaît à l'écran, recherchez le logiciel mis à jour dans le menu (**Update Firmware**) et sélectionnez parmi **Only This Unit**, **Multiple Units** ou **Other Fixture Type**. Une liste des fichiers logiciels de mise à jour s'affiche.
3. Sélectionnez le fichier à télécharger. Le message «Are you sure?» (êtes-vous sûr ?) s'affiche. Appuyez sur **ENTER** (entrée).
4. Si le fichier sélectionné est correct, la mise à niveau se termine. Redémarrez l'appareil.
 - Si le fichier sélectionné est incorrect, la mise à niveau échoue et l'affichage revient au menu principal. Répétez les étapes 1 à 3 en utilisant le bon fichier.



Les fichiers au format .chl doivent être placés dans le dossier "STRIKE" de la clé USB.



L'option «Other Fixture Type» ne peut être sélectionnée que pour les produits connectés compatibles avec le Upload 03 (les 2 premiers chiffres du code article doivent être 03).

Valeurs DMX

8 Ch

| Canal | Fonction | Valeur | Pourcentage/Configuration |
|-------|-----------------------|-----------|--|
| 1 | Gradateur | 000 ⇔ 255 | 0–100% |
| 2 | Gradateur fin | 000 ⇔ 255 | 0–100% |
| 3 | Passe au rouge | 000 ⇔ 000 | Activer |
| | | 001 ⇔ 255 | Désactiver |
| 4 | Stroboscope | 000 ⇔ 010 | Pas de fonction |
| | | 011 ⇔ 132 | Stroboscope, lent à rapide (tous les pods) |
| | | 133 ⇔ 255 | Stroboscope, lent à rapide (aléatoire) |
| 5 | Blanc 1 | 000 ⇔ 255 | 0–100% |
| 6 | Blanc 2 | 000 ⇔ 255 | 0–100% |
| 7 | Programme automatique | 000 ⇔ 010 | Pas de fonction |
| | | 011 ⇔ 040 | Auto 1 |
| | | 041 ⇔ 080 | Auto 2 |
| | | 081 ⇔ 120 | Auto 3 |
| | | 121 ⇔ 160 | Auto 4 |
| | | 161 ⇔ 200 | Auto 5 |
| | | 201 ⇔ 240 | Auto 6 |
| | | 241 ⇔ 255 | Pas de fonction |
| 8 | Vitesse du gradateur* | 000 ⇔ 051 | Mode vitesse gradateur actuel |
| | | 052 ⇔ 101 | Gradateur linéaire |
| | | 102 ⇔ 152 | Courbe de gradation non linéaire 1 (le plus rapide) |
| | | 153 ⇔ 203 | Courbe de gradation non linéaire 2 |
| | | 204 ⇔ 255 | Courbe de gradation non linéaire 3 (le moins rapide) |



* Maintenez la valeur souhaitée de vitesse de gradateur pendant 3 secondes, puis relâchez. Cela modifie le réglage de la vitesse de gradateur dans le menu.

5 Ch

| Canal | Fonction | Valeur | Pourcentage/Configuration |
|-------|-----------------------|--|--|
| 1 | Gradateur | 000 ⇔ 255 | 0–100% |
| 2 | Passe au rouge | 000 ⇔ 000 001 ⇔ 255 | Activer Désactiver |
| 3 | Stroboscope | 000 ⇔ 010 011 ⇔ 132 133 ⇔ 255 | Pas de fonction Stroboscope, lent à rapide (tous les pods) Stroboscope, lent à rapide (aléatoire) |
| 4 | Programme automatique | 000 ⇔ 010 011 ⇔ 040 041 ⇔ 080 081 ⇔ 120 121 ⇔ 160 161 ⇔ 200 201 ⇔ 240 241 ⇔ 255 | Pas de fonction Auto 1 Auto 2 Auto 3 Auto 4 Auto 5 Auto 6 Pas de fonction |
| 5 | Vitesse du gradateur* | 000 ⇔ 051 052 ⇔ 101 102 ⇔ 152 153 ⇔ 203 204 ⇔ 255 | Mode vitesse gradateur actuel Gradateur linéaire Courbe de gradation non linéaire 1 (le plus rapide) Courbe de gradation non linéaire 2 Courbe de gradation non linéaire 3 (le moins rapide) |



* Maintenez la valeur souhaitée de vitesse de gradateur pendant 3 secondes, puis relâchez. Cela modifie le réglage de la vitesse de gradateur dans le menu.

4 Ch

| Canal | Fonction | Valeur | Pourcentage/Configuration |
|-------|-----------------------|---|--|
| 1 | Blanc 1 | 000 ⇔ 255 | 0–100% |
| 2 | Blanc 2 | 000 ⇔ 255 | 0–100% |
| 3 | Passe au rouge | 000 ⇔ 000 001 ⇔ 255 | Activer Désactiver |
| 4 | Vitesse du gradateur* | 000 ⇔ 051 052 ⇔ 101 102 ⇔ 152 153 ⇔ 203 204 ⇔ 255 | Mode vitesse gradateur actuel Gradateur linéaire Courbe de gradation non linéaire 1 (le plus rapide) Courbe de gradation non linéaire 2 Courbe de gradation non linéaire 3 (le moins rapide) |



* Maintenez la valeur souhaitée de vitesse de gradateur pendant 3 secondes, puis relâchez. Cela modifie le réglage de la vitesse de gradateur dans le menu.

3 Ch

| Canal | Fonction | Valeur | Pourcentage/Configuration |
|-------|-----------------------|---|--|
| 1 | Gradateur | 000 ⇔ 255 | 0–100% |
| 2 | Passe au rouge | 000 ⇔ 000 001 ⇔ 255 | Activer Désactiver |
| 5 | Vitesse du gradateur* | 000 ⇔ 051 052 ⇔ 101 102 ⇔ 152 153 ⇔ 203 204 ⇔ 255 | Mode vitesse gradateur actuel Gradateur linéaire Courbe de gradation non linéaire 1 (le plus rapide) Courbe de gradation non linéaire 2 Courbe de gradation non linéaire 3 (le moins rapide) |



* Maintenez la valeur souhaitée de vitesse de gradateur pendant 3 secondes, puis relâchez. Cela modifie le réglage de la vitesse de gradateur dans le menu.

2 Ch

| Canal | Fonction | Valeur | Pourcentage/Configuration |
|-------|----------|-----------|---------------------------|
| 1 | Blanc 1 | 000 ⇔ 255 | 0–100% |
| 2 | Blanc 2 | 000 ⇔ 255 | 0–100% |

1 Ch

| Canal | Fonction | Valeur | Pourcentage/Configuration |
|-------|-----------|-----------|---------------------------|
| 1 | Gradateur | 000 ⇔ 255 | 0–100% |

Über diese Schnellanleitung

In der Schnellanleitung des Strike Array 2 finden Sie die wesentlichen Produktinformationen, wie etwa über die Montage, Menüoptionen und DMX-Werte des Geräts. Laden Sie für weiterführende Informationen unter www.chauvetprofessional.com das Benutzerhandbuch herunter.

Haftungsausschluss

Die in dieser Anleitung aufgeführten Informationen und Spezifikationen können ohne vorherige Ankündigung geändert werden.

EINGESCHRÄNKTE GARANTIE

ZUR REGISTRIERUNG FÜR GARANTIEANSPRÜCHE UND ZUR EINSICHT IN DIE VOLLSTÄNDIGEN GESCHÄFTSBEDINGUNGEN BESUCHEN SIE BITTE UNSERE WEBSITE.

Für Kunden in den USA und in Mexiko: www.chauvetlighting.com/warranty-registration.

Für Kunden im Vereinigten Königreich, in Irland, Belgien, den Niederlanden, Luxemburg, Frankreich und Deutschland: www.chauvetlighting.eu/warranty-registration.

Chauvet garantiert für die in der auf unserer Website veröffentlichten vollständigen eingeschränkten Garantie genannten Dauer und unter Vorbehalt der darin genannten Haftungsausschlüsse und -beschränkungen, dass dieses Produkt bei normalen Gebrauch frei von Material- und Verarbeitungsfehlern ist. Diese Garantie erstreckt sich nur auf den Erstkäufer des Produkts und ist nicht übertragbar. Zur Ausübung der unter dieser Garantie gewährten Rechte ist der Kaufbeleg in Form der Originalrechnung von einem autorisierten Händler vorzulegen, in der die Produktbezeichnung und das Kaufdatum vermerkt sein müssen. ES BESTEHEN KEINE WEITEREN AUSDRÜCKLICHEN ODER STILLSCHWEIGENDEN GARANTIEN. Diese Garantie gibt Ihnen besondere gesetzliche Rechte. Und Sie haben möglicherweise weitere Rechte, die von Land zu Land unterschiedlich sein können. Diese Garantie ist nur in den USA, im Vereinigten Königreich, in Irland, Belgien, den Niederlanden, Luxemburg, Frankreich, Deutschland und Mexiko gültig. Bezüglich der Garantiebestimmungen in anderen Ländern wenden Sie sich bitte an Ihren lokalen Händler.

Sicherheitshinweise

- Die Leuchte sollte so positioniert werden, dass ein langes starres Schauen in die Leuchte in einem Abstand von weniger als 7,5 Fuß (2,3 m) nicht zu erwarten ist.
- Ist das externe flexible Kabel dieser Leuchte beschädigt, muss es durch ein gleichwertiges Kabel oder ein ausschließlich vom Hersteller oder dessen Vertriebspartner erhältliches Kabel ersetzt werden.
- Das in dieser Leuchte enthaltene Leuchtmittel darf nur vom Hersteller oder dessen Vertriebspartner oder einer ähnlich qualifizierten Person ausgetauscht werden.
- Die Leuchte ist ausschließlich für den professionellen Einsatz bestimmt.
- Dieses Gerät NICHT öffnen. Die eingebauten Komponenten sind für den Kunden wartungsfrei.
- Um unnötigen Verschleiß zu vermeiden und die Lebensdauer des Geräts zu verlängern, trennen Sie während längerer Perioden des Nichtgebrauchs das Gerät vom Stromnetz – entweder per Trennschalter oder durch Herausziehen des Steckers aus der Steckdose.
- NIEMALS in die Lichtquelle schauen, während das Gerät eingeschaltet ist.
- VORSICHT: Das Gehäuse dieses Produkts kann während des Betriebs heiß werden. Installieren Sie das Gerät an einem Ort mit ausreichender Belüftung und mit einem Abstand von mindestens 50 cm zu den angrenzenden Flächen.
- Belassen Sie KEINE entflammaren Materialien in einem Umkreis von 50 cm dieses Geräts, während es in Betrieb oder an der Stromversorgung angeschlossen ist.
- VORSICHT: Beim Transport des Geräts von einer Umgebung mit außergewöhnlichen Temperaturen in eine andere solche Umgebung (z. B. aus einem kalten Transporter in einen warm-feuchten Ballsaal) kann an der im Gerät enthaltenen Elektronik Wasser kondensieren. Um einen Defekt zu vermeiden, muss sich das Gerät erst in der neuen Umgebung akklimatisiert haben, bevor es an die Stromversorgung angeschlossen werden kann.
- VERWENDEN Sie bei Montage über Kopf immer ein Sicherheitsseil.
- Dieses Gerät darf NICHT in Wasser eingetaucht werden (IP65). Eine regelmäßige Verwendung dieses Geräts im Freien ist möglich.
- NIEMALS das Gerät in Betrieb nehmen, wenn Ihnen das Gehäuse, die Linsen oder das Kabel beschädigt erscheinen.
- Schließen Sie dieses Gerät NICHT an einen Dimmer oder Regelwiderstand an.
- Schließen Sie dieses Produkt NUR an einen mit der Erde verbundenen und geschützten Stromkreis an.
- Das Gerät NUR an den Hänge-/Befestigungsbügeln oder Griffen tragen.
- Bei ernsthaften Betriebsproblemen stoppen Sie umgehend die Verwendung des Geräts.
- Die maximal zulässige Umgebungstemperatur beträgt 45 °C. Nehmen Sie das Gerät nicht bei höheren Temperaturen in Betrieb.

FCC-Konformität

Dieses Gerät erfüllt Teil 15, Teil B, der FCC-Bestimmungen. Der Betrieb ist an folgende zwei Bedingungen geknüpft:

1. Dieses Gerät darf keine schädlichen Interferenzen verursachen, und
2. Dieses Gerät muss empfangende Interferenzen aufnehmen können, auch Interferenzen, die eventuell einen unerwünschten Betrieb verursachen.

Jegliche Änderungen oder Modifikationen, die nicht ausdrücklich von der Partei genehmigt wurden, die für die Compliance zuständig ist, könnten die Berechtigung des Benutzers zum Betrieb dieses Geräts aufheben.

Kontakt

Van buiten de VS, Verenigd Koninkrijk, Ierland, Benelux, Frankrijk, Duitsland of Mexico kunt u contact opnemen met de distributeur of om ondersteuning vragen dan wel het product retourneren. Raadpleeg [Contact Us](#) aan het einde van deze BH voor contactinformatie.

Packungsinhalt

- Strike Array 2
- Seetronic Powerkon IP65-Stromkabel
- Omega-Hängebügel mit Befestigungsmaterial
- Schnellanleitung

Wechselstrom

Dieses Gerät verfügt über ein Vorschaltgerät, das automatisch die anliegende Spannung erkennt, sobald der Netzstecker in die Schukosteckdose gesteckt wird, und kann mit einer Eingangsspannung von 100~240 V AC, 50/60 Hz arbeiten.

Serienschaltung der Geräte

Sie können bis zu 11 Strike Array 2-Geräte bei 100 V, 13 Geräte bei 120 V AC, 22 Geräte bei 208 V AC, 24 Geräte bei 230 V AC, oder 25 Gerät bei 240 V in Serie schalten. Diese Anzahl niemals überschreiten! Stromkabel für die Serienschaltung können separat erworben werden.

Wechselstromstecker

| Anschluss | Draht (USA) | Draht (Europa) | Schraubenfarbe |
|--------------------------|-------------|----------------|--------------------|
| Stromführender AC-Leiter | Schwarz | Braun | Gelb/Messingfarben |
| AC-Neutralleiter | Weiß | Blau | Silber |
| AC-Erdungsleiter | Grün/Gelb | Grün/Gelb | Grün |



Um unnötigen Verschleiß zu vermeiden und die Lebensdauer des Geräts zu verlängern, trennen Sie während längerer Perioden des Nichtgebrauchs das Gerät vom Stromnetz – entweder per Trennschalter oder durch Herausziehen des Steckers aus der Steckdose.

DMX-Verbindung

Der Strike Array 2 kann mit einem DMX-Controller betrieben werden, wenn eine 5-polige DMX-Serienschaltung zum Einsatz kommt. Sie können sich eine Einführung in DMX unter www.chauvetprofessional.com herunterladen.

DMX-Anschluss

Der Strike Array 2 verwendet eine drahtlose DMX-Datenverbindung für seine DMX-Persönlichkeiten: **1 Ch, 2 Ch, 3 Ch, 4 Ch, 5 Ch, und 8 Ch**. Anschließen und Konfigurieren des Geräts für einen DMX-Betrieb finden Sie in der Bedienungsanleitung.

Master/Slave-Schaltung

Der Strike Array 2 verwendet für seinen Master/Slave-Modus eine DMX-Datenverbindung. Informationen zum Anschließen und Konfigurieren des Geräts für einen Master/Slave-Betrieb finden Sie in der Bedienungsanleitung.

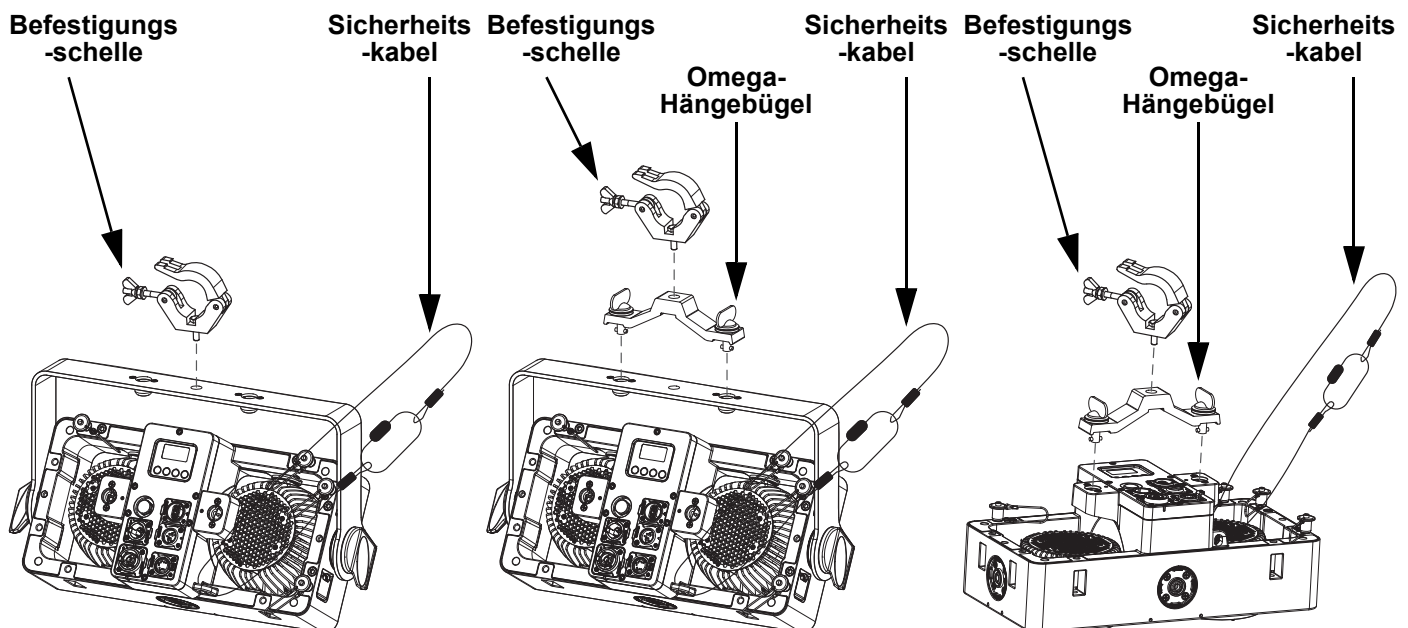
RDM (Remote Device Management)

Remote Device Management bzw. RDM ist ein Standard, mit dem DMX-aktivierte Geräte bidirektional entlang bestehender DMX-Kabel kommunizieren können. Lesen Sie die Bedienungsanleitung des DMX-Controller oder wenden Sie sich an den Hersteller, da nicht alle DMX-Controller über diese Funktion verfügt. Der Strike Array 2 unterstützt das RDM-Protokoll, das ein Feedback zur Vornahme von Änderungen der Menüoptionen erlaubt. Laden Sie für weiterführende Informationen unter www.chauvetprofessional.com das Benutzerhandbuch herunter.

Montage

Lesen Sie vor der Montage dieses Geräts die [Sicherheitshinweise](#) durch. Stellen Sie sicher, dass die Befestigungsklemmen dafür ausgelegt sind, das Produktgewicht tragen zu können. Informationen zu unserer CHAUVET-Produktlinie für Befestigungsklemmen finden Sie unter <http://trusst.com/productcategory/truss-clamps/>.

Produktmontageansicht

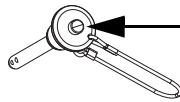


Multi-Product Mounting

Der Strike Array 2 verfügt über ein Verriegelungssystem für das vertikale oder horizontale Zusammenschließen mehrerer Strike Array 2- oder Strike Array 4-Geräte. Stellen Sie sicher, dass die Befestigungsklemmen dafür ausgelegt sind, das Produktgewicht tragen zu können. Informationen zu unserer CHAUVET-Produktlinie für Befestigungsklemmen finden Sie unter <http://trusst.com/productcategory/truss-clamps/>.

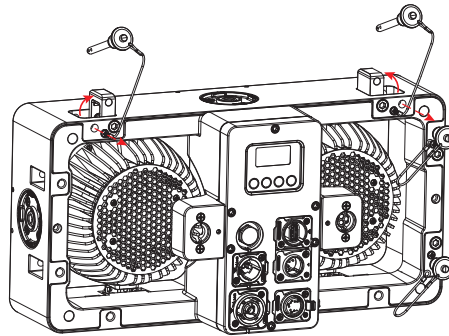
Multi-Product Mounting Diagram

Drücken und halten gedrückt Sie den Verriegelungsknopf zu entfernen oder stecken hinein die Haltestift

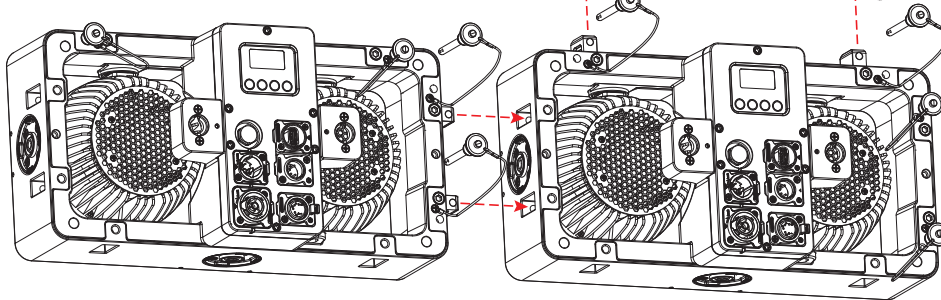
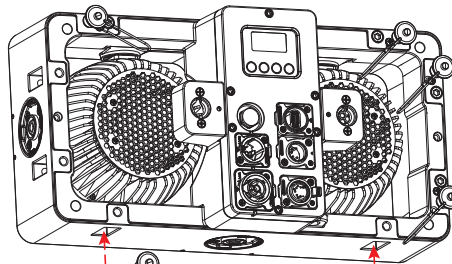


Verriegelungsknopf

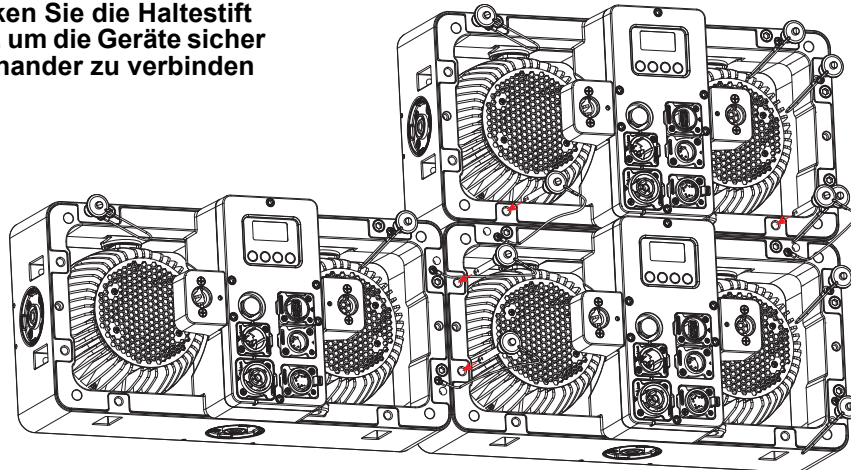
Entfernen Sie die Haltestift, um die integrierte hängende Hardware zu lösen



Stecken Sie die integrierte hängende Hardware in die Öffnung des jeweils nächsten Geräts (vertikal oder horizontal)



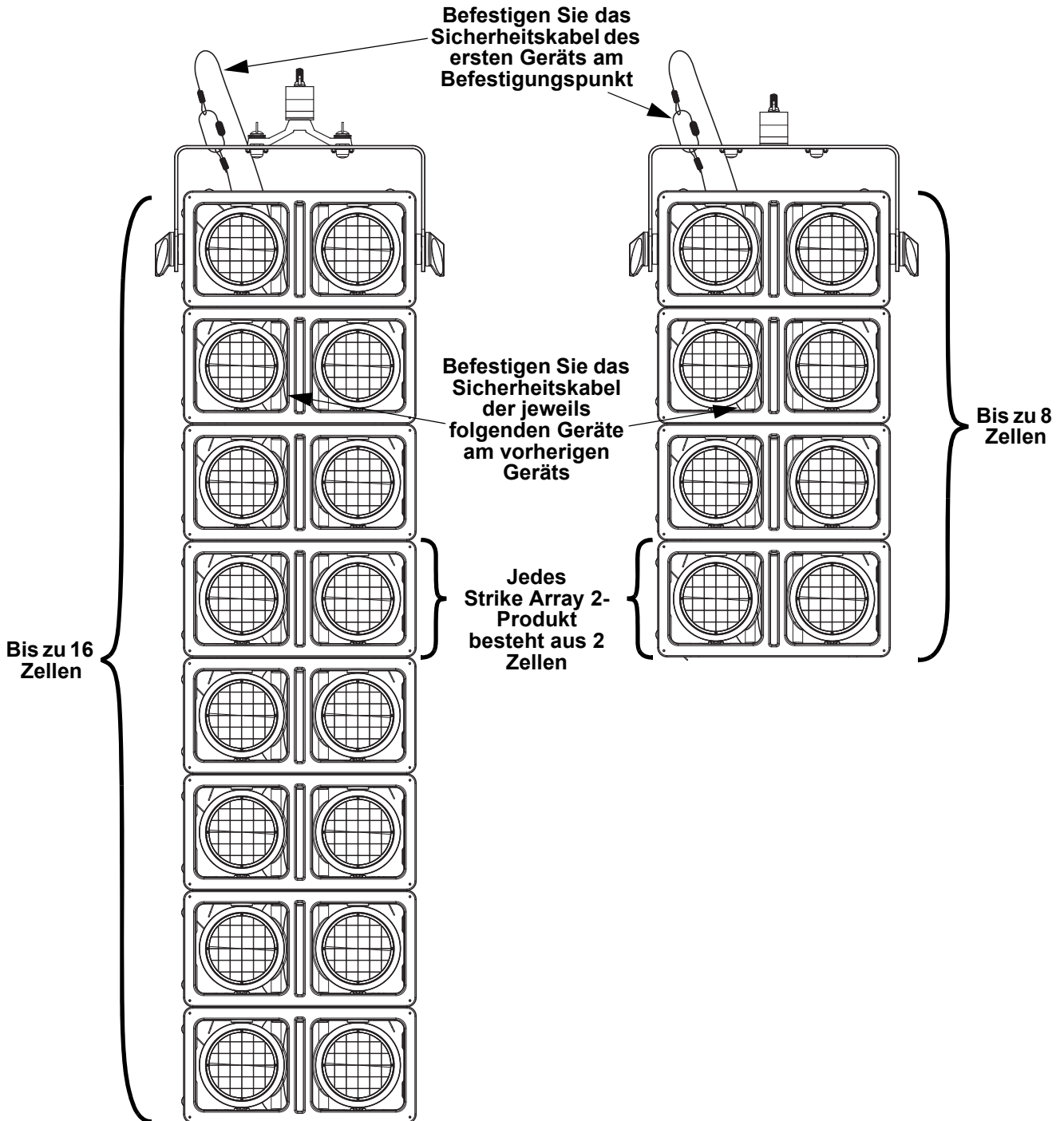
Stecken Sie die Haltestift hinein, um die Geräte sicher miteinander zu verbinden



Montage der Geräte bei einer Installation in Serie

Mit Omega-Hängebügel

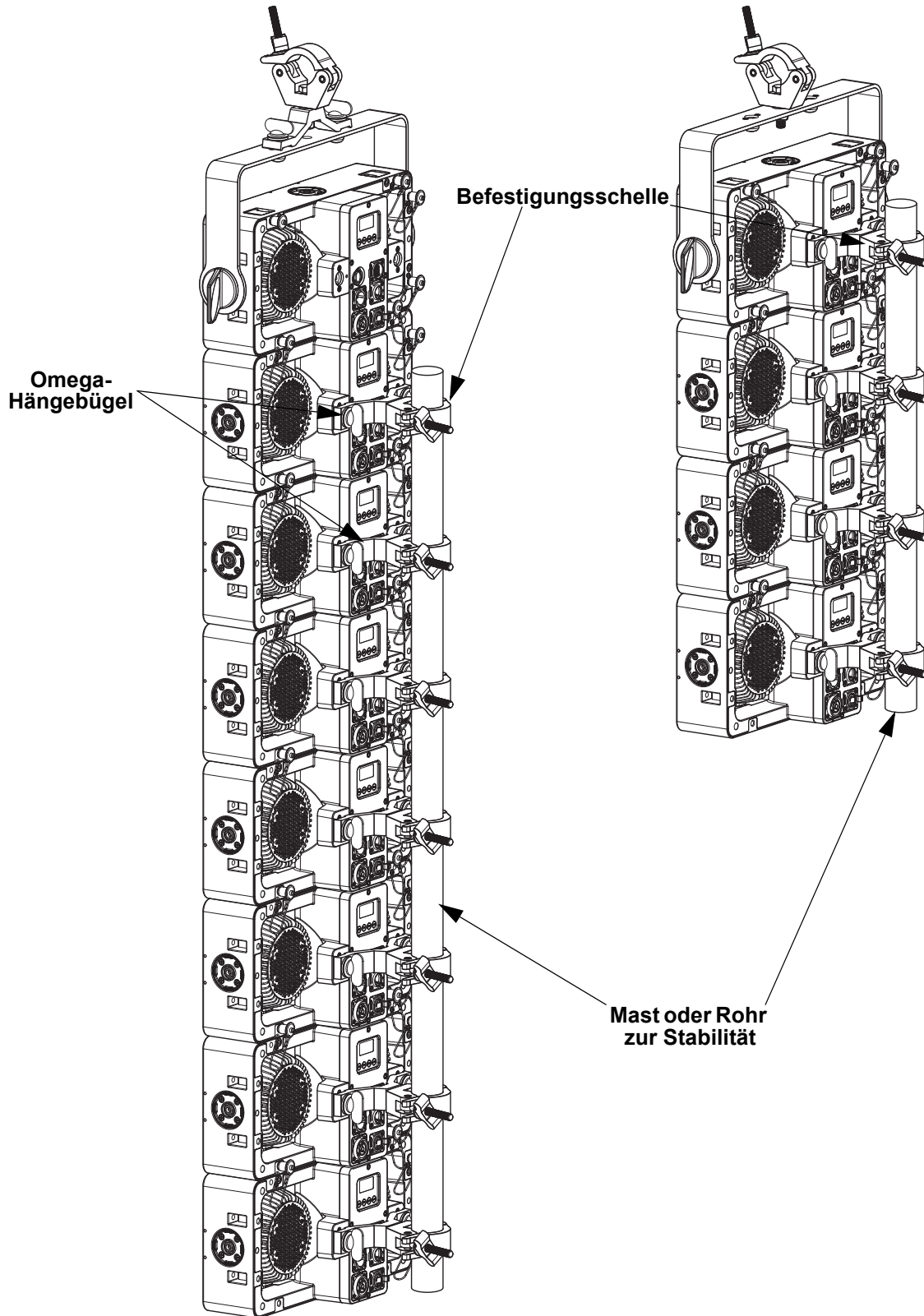
Ohne Omega-Hängebügel



- Bei Verwendung der omega-Hängebügel, Befestigen Sie niemals mehr als 16 Zellen aneinander, wenn diese vertikal an einem einzigen Aufhängepunkt aufgehängt werden.
- Wenn Sie die omega-Hängebügel nicht verwenden, Befestigen Sie niemals mehr als 8 Zellen aneinander, wenn diese vertikal an einem einzigen Aufhängepunkt aufgehängt werden.

Stabilität bei vertikaler Montage

Verwenden Sie bei der Montage von Produkten in Reihe Omega-Haltebügel auf der Rückseite, um eine Art Rückgrat zu erzeugen. Dadurch wird verhindert, dass sie Produkte durch Bewegungen beschädigt werden.



Beschreibung des Bedienfeldes

| Taste | Funktion |
|---------|---|
| <MENU> | Damit verlassen Sie das aktuelle Menü oder die Funktion |
| <ENTER> | Damit wird das aktuell angezeigte Menü aktiviert oder der aktuell ausgewählte Wert einer Funktion eingestellt |
| <UP> | Damit navigieren Sie sich durch die Menüpunkte nach oben und erhöhen den numerischen Wert der entsprechenden Funktion |
| <DOWN> | Damit navigieren Sie sich durch die Menüpunkte nach unten und verringern den numerischen Wert der entsprechenden Funktion |

Sicherheitscode

Geben Sie nach der entsprechenden Aufforderung den folgenden Sicherheitscode ein, indem betätigen: <UP>, <DOWN>, <UP>, <DOWN>, <ENTER>.

Dieser Sicherheitscode kann nicht geändert werden und ist nach entsprechender Aufforderung immer zu verwenden.

Menüstruktur

Die neueste Menükarte finden Sie auf der Strike Array 2-produktseite unter www.chauvetprofessional.com.

| Hauptebene | Programmirebenen | | Beschreibung |
|----------------------|----------------------|----------------------|--|
| Start Address | 001–512* | | Wählt die DMX-Adresse aus (der höchste Kanal ist auf die gewählte Eigenschaft beschränkt) |
| DMX Channel | 1 Ch | | 1-Kanal: Dimmer |
| | 2 Ch | | 2-Kanal: Weiß 1, Weiß 2 |
| | 3 Ch | | 3-Kanal: Dimmer, roter Übergang, Dimmer-Geschwindigkeitsmodus |
| | 4 Ch | | 4-Kanal: Weiß 1, Weiß 2, roter Übergang, Dimmer-Geschwindigkeitsmodus |
| | 5 Ch | | 5-Kanal: Dimmer, roter Übergang, Stroboskopeffekt, Auto-Programme, Dimmer-Geschwindigkeitsmodus |
| | 8 Ch | | 8-Kanal: Dimmer, 16-Bit-Dimmer, roter Übergang, Stroboskopeffekt, Weiß 1, Weiß 2, Auto-Programme, Dimmer-Geschwindigkeitsmodus |
| Static | Dimmer | 000–255 | Legt die Intensität der Lichtleistung fest |
| | Strobe | | Wählt die Blitzfrequenz |
| Auto Show | Auto 1–6 | Speed 001–100 | Wählt das Auto-Programm und die Programm-Geschwindigkeit aus |
| Red Shift | On | | Schaltet die rote Umschaltung ein oder aus (gelbe LEDs imitieren beim Dimmen der Lampe) |
| | Off | | |
| Master/Slave | Master | | Master-Modus |
| | Slave | | Slave-Modus |
| Dimmer Mode | Off | | Linearer Dimmer |
| | Dimmer 1 | | Schnelle Dimmungskurve |
| | Dimmer 2 | | Mittlere Dimmungskurve |
| | Dimmer 3 | | Langsame Dimmungskurve |
| LED Frequency | 600Hz | | Stellt die PWM-Frequenz ein |
| | 1200Hz | | |
| | 2000Hz | | |
| | 4000Hz | | |
| | 25KHz | | |
| Back Light | 10S | | Damit wird die Hintergrundbeleuchtung der Anzeige nach 10 Sekunden Inaktivität ausgeschaltet |
| | 30S | | Damit wird die Hintergrundbeleuchtung der Anzeige nach 30 Sekunden Inaktivität ausgeschaltet |
| | 2Min | | Damit wird die Hintergrundbeleuchtung der Anzeige nach 2 Minuten Inaktivität ausgeschaltet |
| | Always On | | Hintergrundbeleuchtung immer an |
| Key Lock | On | | Damit wird die Anzeige gesperrt (Passwort lautet <UP>, <DOWN>, <UP>, <DOWN>, <ENTER>) |
| | Off | | |
| Information | Fixture Hours | ___ H | Zeigt an, wie lange das Gerät eingeschaltet gewesen ist |
| | LED Hours | ___ H | Zeigt die Gesamtstunden an, in denen die LED-Leuchten eingeschaltet waren |
| | Version | V_._ | Zeigt die aktuelle Firmware-Version an |
| | UID | ----- | Zeigt die Geräte-UID an |

| Hauptebene | Programmirebenen | | Beschreibung |
|-----------------|--------------------|------------------------|--|
| Temperature | LED1: | __ °C | Temperatur der einzelnen Kapseln |
| | LED2: | | |
| Update Firmware | Only This Unit | __ _ _ _ _ .CHL ... | Wählt die Update-Datei für dieses Produkt, oder zeigt "No such file!" |
| | Multiple Units | __ _ _ _ _ .CHL ... | Wählt die Update-Datei für dieses Produkt und verbundene Strike Array 2-Produkte, oder zeigt "No such file!" |
| | Other Fixture Type | __ _ _ _ _ .CHL ... | Wählt die Update-Datei für andere verbundene Produkte, oder zeigt "No such file!" |
| Factory Reset | No | | Auf Werkseinstellungen zurücksetzen |
| | Yes | | |

Softwareupdate via USB

Das Gerät Strike Array 2 ermöglicht ein Softwareupdate über USB unter Verwendung des integrierten USB-Anschlusses. Zur Aktualisierung der Software mit einem USB-Stick gehen Sie wie folgt vor:

- Schalten Sie das Gerät an und stecken Sie den Stick in den USB-Anschluss.
- Sobald der Stick erkannt worden ist, erscheint die Meldung "Firmware aktualisieren". Betätigen Sie **ENTER**.
 - Wird eine andere Meldung angezeigt, suchen Sie im Menü ("**Update Firmware**") nach der aktualisierten Software und aus **Only This Unit**, **Multiple Units** oder **Other Fixture Type** auswählen. Es wird eine Liste der aktualisierten Software angezeigt.
- Wählen Sie die hochzuladende Datei aus. Es wird die Meldung "Sind Sie sicher?" angezeigt. Betätigen Sie **ENTER**.
- Ist die ausgewählte Datei korrekt, wird das Upgrade abgeschlossen. Starten Sie das Gerät neu.
 - Ist die ausgewählte Datei falsch, wird das Upgrade nicht ausgeführt und es wird wieder das Hauptmenü angezeigt. Wiederholen Sie die Schritte 1 bis 3 mit der korrekten Datei.



Das Dateiformat .chl muss im Ordner "STRIKE" auf dem USB-Stick abgelegt werden.



Die Option "Other Fixture Type" kann nur für verbundene Produkte ausgewählt werden, die mit dem Upload 03 kompatibel sind (die ersten 2 Ziffern des Artikelcodes müssen 03 sein).

DMX-Werte

8 Ch

| Kanal | Funktion | Wert | Prozent/Einstellung |
|-------|------------------------|--|---|
| 1 | Dimmer | 000 ⇔ 255 | 0–100% |
| 2 | Feine Dimmer | 000 ⇔ 255 | 0–100% |
| 3 | Roter Übergang | 000 ⇔ 000 001 ⇔ 255 | Roter Übergang aktiviert Roter Übergang deaktiviert |
| 4 | Stroboskop | 000 ⇔ 010 011 ⇔ 132 133 ⇔ 255 | Keine Funktion Stroboskop, langsam nach schnell (alle Schoten) Stroboskop, langsam nach schnell (zufällige Strobo-Makros) |
| 5 | Weiß 1 | 000 ⇔ 255 | 0–100% |
| 6 | Weiß 2 | 000 ⇔ 255 | 0–100% |
| 7 | Automatisches Programm | 000 ⇔ 010 011 ⇔ 040 041 ⇔ 080 081 ⇔ 120 121 ⇔ 160 161 ⇔ 200 201 ⇔ 240 241 ⇔ 255 | Keine Funktion Auto 1 Auto 2 Auto 3 Auto 4 Auto 5 Auto 6 Keine Funktion |
| 8 | Dimmgeschwindigkeit * | 000 ⇔ 051 052 ⇔ 101 102 ⇔ 152 153 ⇔ 203 204 ⇔ 255 | Dimmgeschwindigkeit von Anzeige eingestellt Dimmer-Geschwindigkeits-Modus aus Dimmer-Geschwindigkeits-Modus 1 (schnellste) Dimmer-Geschwindigkeits-Modus 2 Dimmer-Geschwindigkeits-Modus 3 (langsamste) |



*Gewünschte Dimmungsgeschwindigkeit für 3 Sekunden halten und dann loslassen. Damit wird die Einstellung der Dimmungsgeschwindigkeit im Menü geändert.

5 Ch

| Kanal | Funktion | Wert | Prozent/Einstellung |
|-------|------------------------|--|---|
| 1 | Dimmer | 000 ⇔ 255 | 0–100% |
| 2 | Roter Übergang | 000 ⇔ 000 001 ⇔ 255 | Roter Übergang aktiviert Roter Übergang deaktiviert |
| 3 | Stroboskop | 000 ⇔ 010 011 ⇔ 132 133 ⇔ 255 | Keine Funktion Stroboskop, langsam nach schnell (alle Schoten) Stroboskop, langsam nach schnell (zufällige Strobe-Makros) |
| 4 | Automatisches Programm | 000 ⇔ 010 011 ⇔ 040 041 ⇔ 080 081 ⇔ 120 121 ⇔ 160 161 ⇔ 200 201 ⇔ 240 241 ⇔ 255 | Keine Funktion Auto 1 Auto 2 Auto 3 Auto 4 Auto 5 Auto 6 Keine Funktion |
| 5 | Dimmgeschwindigkeit * | 000 ⇔ 051 052 ⇔ 101 102 ⇔ 152 153 ⇔ 203 204 ⇔ 255 | Dimmgeschwindigkeit von Anzeige eingestellt Dimmer-Geschwindigkeits-Modus aus Dimmer-Geschwindigkeits-Modus 1 (schnellste) Dimmer-Geschwindigkeits-Modus 2 Dimmer-Geschwindigkeits-Modus 3 (langsamste) |



*Gewünschte Dimmungsgeschwindigkeit für 3 Sekunden halten und dann loslassen. Damit wird die Einstellung der Dimmungsgeschwindigkeit im Menü geändert.

4 Ch

| Kanal | Funktion | Wert | Prozent/Einstellung |
|-------|-----------------------|---|---|
| 1 | Weiß 1 | 000 ⇔ 255 | 0–100% |
| 2 | Weiß 2 | 000 ⇔ 255 | 0–100% |
| 3 | Roter Übergang | 000 ⇔ 000 001 ⇔ 255 | Roter Übergang aktiviert Roter Übergang deaktiviert |
| 4 | Dimmgeschwindigkeit * | 000 ⇔ 051 052 ⇔ 101 102 ⇔ 152 153 ⇔ 203 204 ⇔ 255 | Dimmgeschwindigkeit von Anzeige eingestellt Dimmer-Geschwindigkeits-Modus aus Dimmer-Geschwindigkeits-Modus 1 (schnellste) Dimmer-Geschwindigkeits-Modus 2 Dimmer-Geschwindigkeits-Modus 3 (langsamste) |



*Gewünschte Dimmungsgeschwindigkeit für 3 Sekunden halten und dann loslassen. Damit wird die Einstellung der Dimmungsgeschwindigkeit im Menü geändert.

3 Ch

| Kanal | Funktion | Wert | Prozent/Einstellung |
|-------|-----------------------|---|---|
| 1 | Dimmer | 000 ⇔ 255 | 0–100% |
| 2 | Roter Übergang | 000 ⇔ 000 001 ⇔ 255 | Roter Übergang aktiviert Roter Übergang deaktiviert |
| 5 | Dimmgeschwindigkeit * | 000 ⇔ 051 052 ⇔ 101 102 ⇔ 152 153 ⇔ 203 204 ⇔ 255 | Dimmgeschwindigkeit von Anzeige eingestellt Dimmer-Geschwindigkeits-Modus aus Dimmer-Geschwindigkeits-Modus 1 (schnellste) Dimmer-Geschwindigkeits-Modus 2 Dimmer-Geschwindigkeits-Modus 3 (langsamste) |



*Gewünschte Dimmungsgeschwindigkeit für 3 Sekunden halten und dann loslassen. Damit wird die Einstellung der Dimmungsgeschwindigkeit im Menü geändert.

2 Ch

| Kanal | Funktion | Wert | Prozent/Einstellung |
|-------|----------|-----------|---------------------|
| 1 | Weiß 1 | 000 ⇔ 255 | 0–100% |
| 2 | Weiß 2 | 000 ⇔ 255 | 0–100% |

1 Ch

| Kanal | Funktion | Wert | Prozent/Einstellung |
|-------|----------|-----------|---------------------|
| 1 | Dimmer | 000 ⇔ 255 | 0–100% |

Over deze handleiding

De Strike Array 2 Beknopte Handleiding (BH) bevat basisinformatie over het product, zoals aansluiting, montage, menu-opties en DMX-waarden. Download de gebruikershandleiding op www.chauvetprofessional.com voor meer informatie.

Disclaimer

De informatie en specificaties in deze BH kunnen zonder voorafgaande kennisgeving worden gewijzigd.

BEPERKTE GARANTIE

GA NAAR ONZE WEBSITE VOOR REGISTRATIE VAN DE GARANTIE EN DE VOLLEDIGE ALGEMENE VOORWAARDEN.

Voor klanten in de Verenigde Staten en Mexico: www.chauvetlighting.com/warranty-registration.

Voor klanten in het Verenigd Koninkrijk, Ierland, België, Nederland, Luxemburg, Frankrijk en Duitsland: www.chauvetlighting.eu/warranty-registration.

Chauvet garandeert dat dit product bij normaal gebruik vrij zal blijven van defecten in materiaal en vakmanschap, voor de opgegeven periode en onder voorbehoud van de uitzonderingen en beperkingen die zijn uiteengezet in de volledige beperkte garantie op onze website. Deze garantie geldt uitsluitend voor de oorspronkelijke koper van het product en is niet overdraagbaar. Om onder deze garantie rechten uit te oefenen, moet u een aankoopbewijs overleggen in de vorm van een origineel verkoopbewijs van een geautoriseerde dealer, waarop de naam van het product en de aankoopdatum zichtbaar zijn. ER ZIJN GEEN ANDERE EXPLICIETE OF IMPLICIETE GARANTIES. Deze garantie geeft u specifieke wettelijke rechten. Mogelijk heeft u ook andere rechten die van staat tot staat en van land tot land verschillen. Deze garantie is uitsluitend geldig in de Verenigde Staten, het Verenigd Koninkrijk, Ierland, België, Nederland, Luxemburg, Frankrijk, Duitsland en Mexico. Neem contact op met uw lokale verkoper voor garantievoorwaarden in andere landen.

Veiligheidsinstructies

- De armatuur moet zodanig geplaatst worden dat langdurig staren in de armatuur op een afstand van minder dan 7,5' (2,3 m) voorkomen wordt.
- Als de externe flexibele kabel of het snoer van deze armatuur beschadigd is, moet deze worden vervangen door een speciaal snoer of een snoer dat uitsluitend beschikbaar is bij de fabrikant of zijn onderhoudsagent.
- De lichtbron die in deze armatuur omvat is mag alleen vervangen worden door de fabrikant, of diens onderhoudsagent of een soortgelijk erkend persoon.
- De armatuur is uitsluitend bedoeld voor professioneel gebruik.
- Open het product NIET. Het bevat geen te onderhouden onderdelen.
- KIJK NIET in de lichtbron wanneer het apparaat is ingeschakeld.
- Om onnodige slijtage te elimineren en zijn levensduur te verlengen, gedurende perioden wanneer het product niet wordt gebruikt, moet u het product van de stroom afsluiten door een aardlekschakelaar om te zetten of door het te ontkoppelen.
- LET OP: Bij het verplaatsen van het product uit extreme omgevingen, (bijv. koude vrachtwagen naar warme, vochtige balzaal) kan er condensvorming optreden op de elektronica van het product. Om storingen te vermijden moet het product volledig kunnen acclimatiseren aan de omgeving voordat het op stroom wordt aangesloten.
- LET OP: De behuizing van dit product kan heet zijn wanneer het in bedrijf is.
- Monteer dit product op een plek met voldoende ventilatie, ten minste 50 cm van de aangrenzende oppervlakken.
- Plaats geen ontvlambaar materiaal binnen 50 cm van dit product als het in gebruik is of is aangesloten op het stopcontact.
- GEBRUIK een veiligheidskabel bij het boven het hoofd plaatsen van dit product.
- Dit product NIET onderdompelen (IP65). Regelmatig gebruik buitenshuis is prima.
- Gebruik dit product NIET als de behuizing, lenzen of kabels beschadigd lijken.
- Sluit dit product NIET aan op een dimmer of een regelweerstand.
- Sluit dit product UITSLUITEND op een geaard en beveiligd stroomcircuit.
- Gebruik UITSLUITEND de ophang-/montagebeugels of de hendels om dit product te dragen.
- Stop in het geval van ernstige operationele problemen onmiddellijk met het gebruik.
- De maximale omgevingstemperatuur bedraagt 45 °C. Gebruik dit product niet bij hogere temperaturen.

FCC-naleving

Dit apparaat voldoet aan Part 15 Part B van de FCC-regels. Het gebruik is onderworpen aan de volgende twee voorwaarden:

1. Dit apparaat mag geen schadelijke interferentie veroorzaken, en
2. Dit apparaat moet enige ontvangen interferentie accepteren, inclusief interferentie die een ongewenste werking kan veroorzaken.

Eventuele wijzigingen of aanpassingen die niet uitdrukkelijk door de voor naleving verantwoordelijke partij zijn goedgekeurd, kan de bevoegdheid van de gebruiker om de apparatuur te bedienen ongeldig verklaren.

Contact

Van buiten de VS, het VK, Ierland, de Benelux, Frankrijk, Duitsland of Mexico kunt u contact opnemen met de distributeur of om ondersteuning vragen dan wel het product retourneren. Ga naar [Contact Us](#) voor contactinformatie.

Wat is inbegrepen

- Strike Array 2
- Seetronic Powerkon IP65 stroomsnoer
- Omega-beugel
- Beknopte handleiding

AC-stroom

Dit product heeft een voeding met automatisch bereik die werkt met een ingangsspanning van 100–240 VAC, 50/60 Hz.

Power Linking

U kunt tot 11 Strike Array 2-producten koppelen bij 100 V, 13 producten bij 120 V, 22 producten bij 208 V, 24 producten bij 230 V, of 25 producten bij 240 V. Dit aantal niet overschrijden. Power Linking-snoeren kunnen apart aangeschaft worden.

AC-stekker

| Aansluiting | Snoer (VS) | Snoer (Europa) | Schroefkleur |
|-------------|------------|----------------|--------------|
| AC Live | Zwart | Bruin | Geel/messing |
| AC Neutraal | Wit | Blauw | Zilver |
| AC Aarde | Groen/geel | Groen/geel | Groen |



Om onnodige slijtage te elimineren en zijn levensduur te verlengen, gedurende perioden wanneer het product niet wordt gebruikt, moet u het product van de stroom afsluiten door een aardlekschakelaar om te zetten of door het te ontkoppelen.

DMX-koppeling

De Strike Array 2 kan met een DMX-controller werken met een normale DMX seriële verbinding. Op www.chauvetprofessional.com is een DMX-basishandleiding verkrijgbaar.

DMX-aansluiting

De Strike Array 2 gebruikt een normale DMX-gegevensverbinding voor bedieningspersoonlijkheden in een bereik van **1 Ch, 2 Ch, 3 Ch, 4 Ch, 5 Ch**, tot **8 Ch**. Zie de gebruikershandleiding om te verbinden en te configureren voor DMX-werking.

Master/slave-verbinding

De Strike Array 2 maakt gebruik van de DMX-dataverbinding voor haar Master-/Slave-modus. Zie de gebruikershandleiding om te verbinden en te configureren voor Master/Slave-werking.

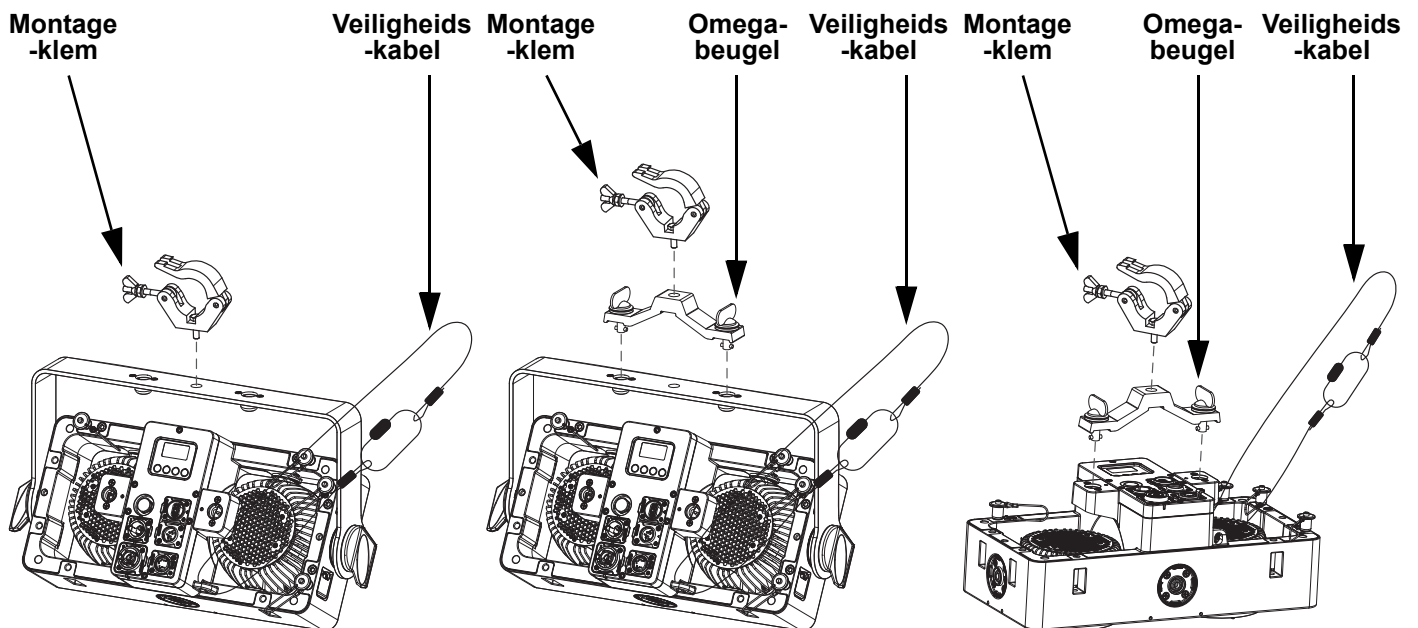
RDM (apparaatbeheer op afstand)

Remote Device Management of RDM (apparaatbeheer op afstand) is een standaard die het voor DMX-apparaten mogelijk maakt om in twee richtingen te communiceren over bestaande DMX-kabels. De Strike Array 2 ondersteunt het RDM-protocol dat zorgt feedback toelaat bij de bewaking van wijzigingen aan de menu map-opties van. Download de gebruikershandleiding op www.chauvetprofessional.com voor meer informatie.

Montage

Lees alvorens dit product te monteren alle [Veiligheidsinstructies](#). Controleer of de montageklem het gewicht van het product kan dragen. Ga voor onze Chauvet-serie montageklemmen naar <http://trusst.com/productcategory/truss-clamps/>.

Montagediagram van het product

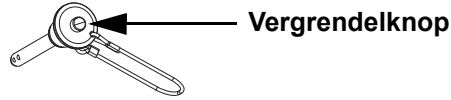


Multi-Product Mounting

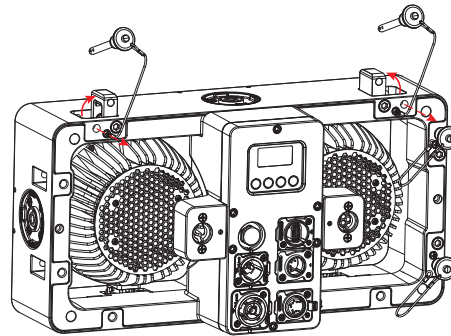
De Strike Array 2 heeft een vergrendelingssysteem voor het met elkaar verbinden van meerdere Strike Array 2 producten of Strike Array 4, zowel verticaal als horizontaal. Controleer of de montageklem het gewicht van het product kan dragen. Ga voor onze Chauvet-serie montageklemmen naar <http://trusst.com/productcategory/truss-clamps/>.

Multi-Product Mounting Diagram

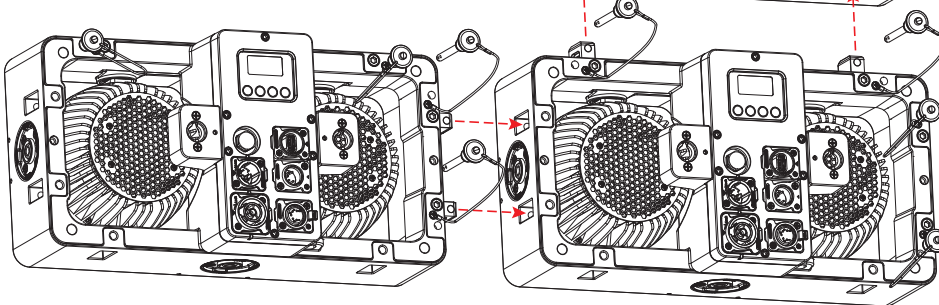
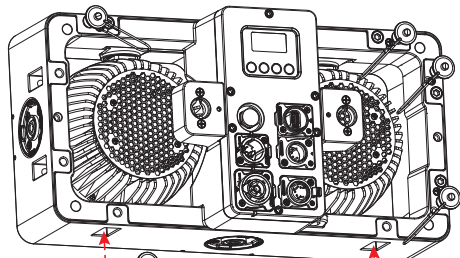
Houd de vergrendelknop om te verwijderen of in te voegen de borgpennen



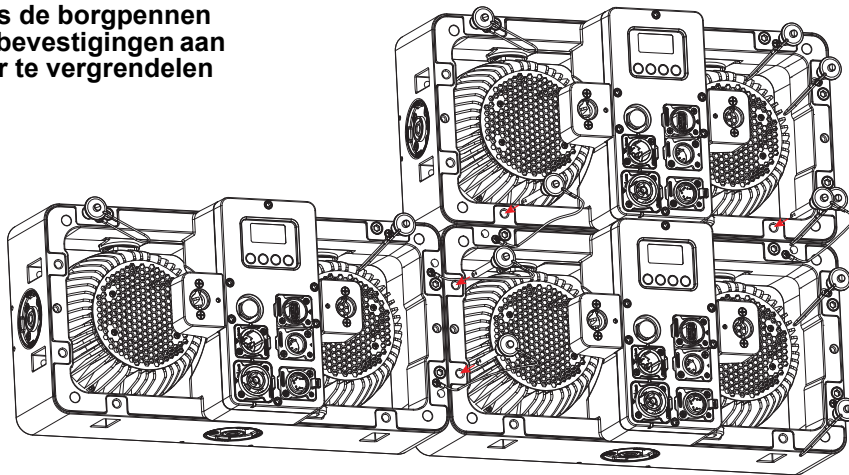
Verwijder de borgpennen om de geïntegreerde ophangbeslag los te maken



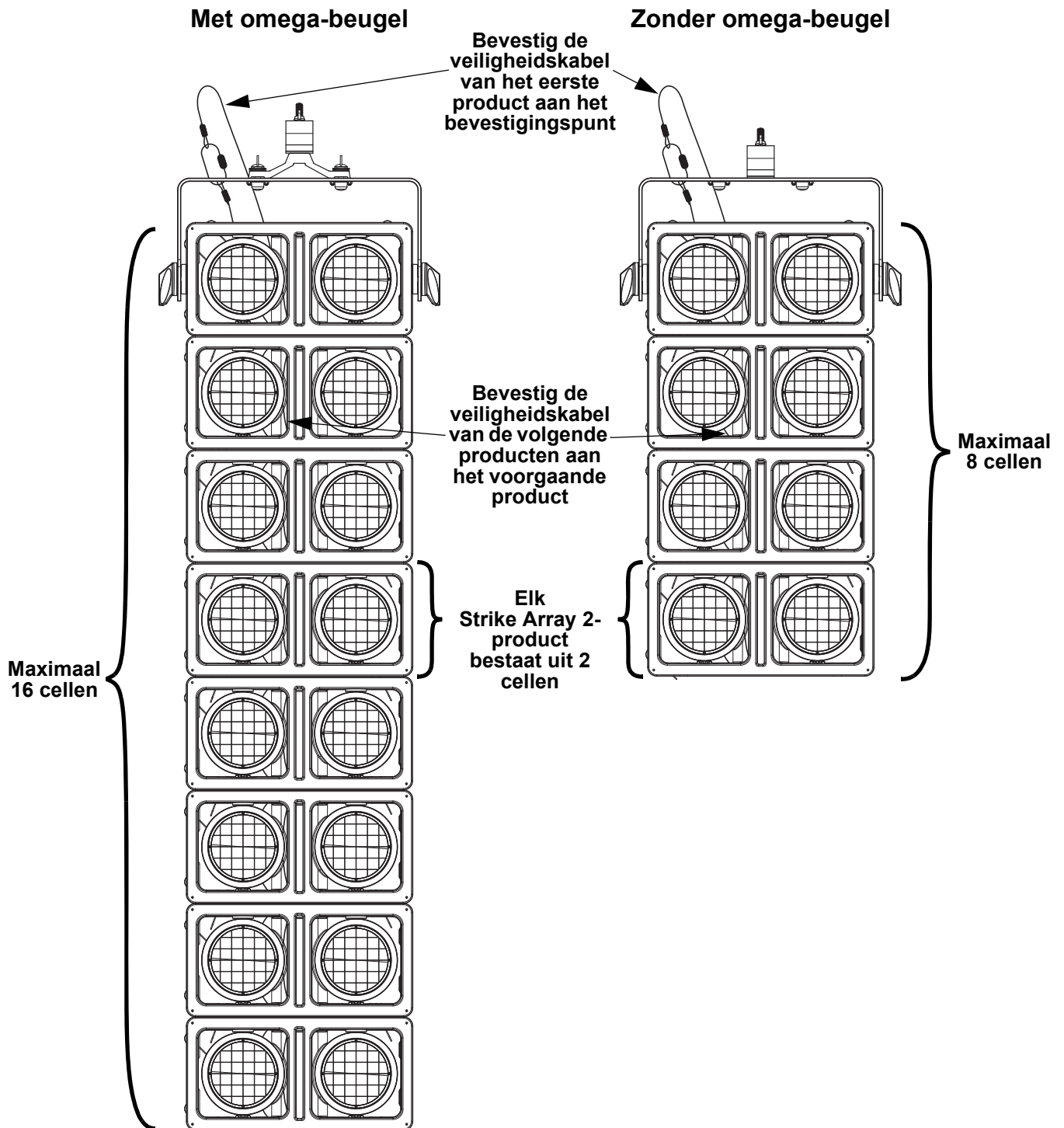
Steek de geïntegreerde ophangbeslag in de openingen van de volgende bevestiging (verticaal of horizontaal)



Plaats de borgpennen om de bevestigingen aan elkaar te vergrendelen



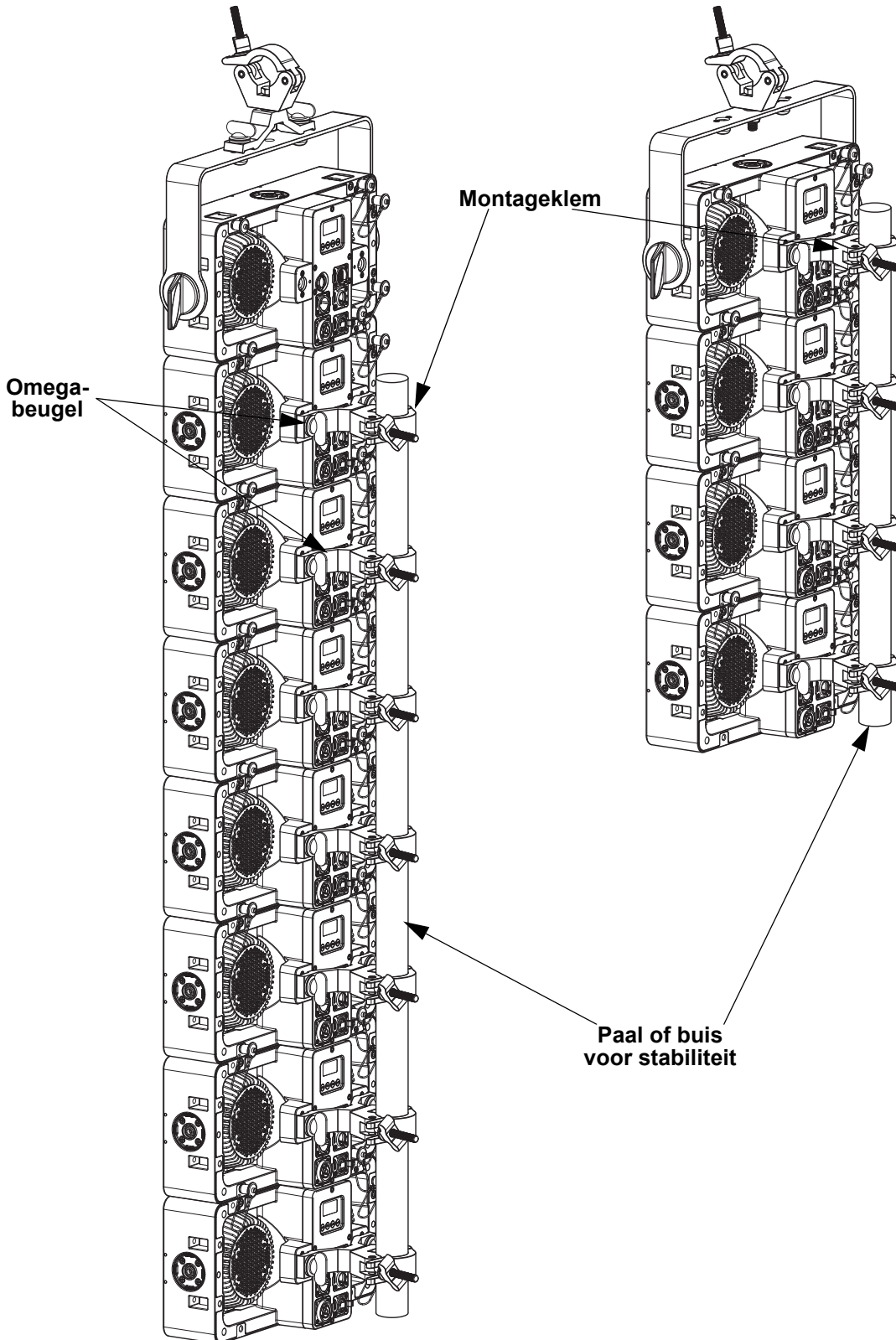
Montage van producten die in serie bevestigd zijn



- Bij gebruik van de omega-beugel, bevestig nooit meer dan 16 cellen aan elkaar wanneer ze verticaal hangen aan één bevestigingspunt.
- Bij niet gebruik van de omega-beugel, bevestig nooit meer dan 8 cellen aan elkaar wanneer ze verticaal hangen aan één bevestigingspunt.

Stabiliteit van verticale montage

Wanneer producten gemonteerd worden die in serie bevestigd zijn, moet u omega-beugels in de achterste positie gebruiken om een ruggengraat te creëren. Dit voorkomt elke beweging die de producten kan beschadigen.



Beschrijving bedieningspaneel

| Toets | Functie |
|---------|--|
| <MENU> | Sluit het huidige menu of functie af |
| <ENTER> | Activeert het huidige getoonde menu of plaatst de huidige geselecteerde waarde in de geselecteerde functie |
| <UP> | Navigeert omhoog via het menu of verhoogt de numerieke waarde wanneer in een functie |
| <DOWN> | Navigeert omlaag via het menu of verlaagt de numerieke waarde wanneer in een functie |

Toegangscode

Vul na dat gevraagd te worden de volgende toegangscode in door te drukken op: <UP>, <DOWN>, <UP>, <DOWN>, <ENTER>. Dit toegangscode kan niet gewijzigd worden en moet indien gevraagd ingevuld worden.

Menupap

Raadpleeg de productpagina van Strike Array 2 op www.chauvetprofessional.com voor de nieuwste menukaart.

| Hoofdniveau | Programmeerniveaus | | Beschrijving |
|----------------------|----------------------|----------------------|--|
| Start Address | 001–512* | | Selecteert het start-adres (hoogste kanaal beperkt tot de gekozen persoonlijkheid) |
| DMX Channel | 1 Ch | | 1-kanaals: dimmer |
| | 2 Ch | | 2-kanaals: witte 1, witte 2 |
| | 3 Ch | | 3-kanaals: dimmer, red shift, Dimmersnelheid |
| | 4 Ch | | 4-kanaals: witte 1, witte 2, red shift, Dimmersnelheid |
| | 5 Ch | | 5-kanaals: dimmer, red shift, strobo, Auto-Programme, Dimmersnelheid |
| | 8 Ch | | 8-kanaals: dimmer, 16-bits dimmer, red shift, strobo, witte 1, witte 2, Auto-Programme, Dimmersnelheid |
| Static | Dimmer | 000–255 | Stelt de intensiteit in van de lichtopbrengst |
| | Strobe | | Selecteert de stroboscoopfrequentie |
| Auto Show | Auto 1–6 | Speed 001–100 | Selecteert automatische programma's en automatische programmasnelheid |
| Red Shift | On | | Zet Red Shift aan of uit (Amber-LED's imiteren lamp bij het dimmen) |
| | Off | | |
| Master/Slave | Master | | Master-modus |
| | Slave | | Slave-modus |
| | Off | | Lineaire dimmer |
| Dimmer Mode | Dimmer 1 | | Snelle dimmer-kromme |
| | Dimmer 2 | | Gemiddelde dimmer-kromme |
| | Dimmer 3 | | Langzame dimmer-kromme |
| LED Frequency | 600Hz | | Selecteert de PWM-uitgangsfrequentie |
| | 1200Hz | | |
| | 2000Hz | | |
| | 4000Hz | | |
| | 25KHz | | |
| Back Light | 10S | | Schakelt de backlight van de display uit na 10s van inactiviteit |
| | 30S | | Schakelt de backlight van de display uit na 30s van inactiviteit |
| | 2Min | | Schakelt de backlight van de display uit na 2 minuten van inactiviteit |
| | Always On | | De backlight van de display is altijd aan |
| Key Lock | On | | Vergrendelt het display (toegangscode is <UP>, <DOWN>, <UP>, <DOWN>, <ENTER>) |
| | Off | | |
| Information | Fixture Hours | ___ H | Toont het totale aantal producten |
| | LED Hours | ___ H | Toont het totale aantal uren dat de LED-verlichting aan was |
| | Version | V_._ | Toont de geïnstalleerde softwareversie |
| | UID | ----- | Geeft de huidige UID # |
| Temperature | LED1: | __ °C | Individuele pod-temperatuur |
| | LED2: | | |

| Hoofdniveau | Programmeerniveaus | | Beschrijving |
|-----------------|--------------------|------------------------|---|
| Update Firmware | Only This Unit | __ _ _ _ _ .CHL ... | Selecteert een updatebestand voor dit product, of toont "No such file!" |
| | Multiple Units | __ _ _ _ _ .CHL ... | Selecteert een updatebestand voor dit product en verbonden Strike Array 2-producten, of toont "No such file!" |
| | Other Fixture Type | __ _ _ _ _ .CHL ... | Selecteert een updatebestand voor andere aangesloten producten, of toont "No such file!" |
| Factory Reset | No Yes | | Herstellen naar de fabrieksstandaard |

USB-softwareupdate

De Strike Array 2 kan via USB een softwareupdate ontvangen via de ingebouwde USB-poort. Ga als volgt te werk om de software via USB bij te werken:

- Schakel het armatuur in en steek de USB-stick in de USB-poort.
- Zodra de flashdrive gedetecteerd is wordt de melding "**Upgrade Firmware**" (Firmware bijwerken) weergegeven. Druk op **ENTER**.
 - Als er een andere melding op het scherm verschijnt moet u in het menu (**Updated Firmware**, ofwel bijgewerkte firmware) naar de bijgewerkte software zoeken en kies uit **Only This Unit**, **Multiple Units** of **Other Fixture Type**. Er wordt een lijst met de bijgewerkte softwarebestanden weergegeven.
- Selecteer het bestand dat geüpload moet worden. Er verschijnt een melding "Are you sure?" (Weet u het zeker?). Druk op **ENTER**.
- Als het geselecteerde bestand correct is, wordt de upgrade voltooid. Start de armatuur opnieuw op.
 - Als het geselecteerde bestand onjuist is, zal de upgrade mislukken en gaat het scherm terug naar de hoofdinterface. Herhaal stap 1-3 dan met het juiste bestand.



Het bestand in .chl-formaat moet in de map "STRIKE" op de USB-stick geplaatst worden.



De optie "Other Fixture Type" kan alleen worden geselecteerd voor aangesloten producten die compatibel zijn met Upload 03 (de eerste 2 cijfers van de artikelcode moeten 03 zijn).

DMX Waarden

8 Ch

| Kanaal | Functie | Waarde | Percentage/Instelling |
|--------|-----------------------|--|---|
| 1 | Dimmer | 000 ⇔ 255 | 0–100% |
| 2 | Fijne dimmer | 000 ⇔ 255 | 0–100% |
| 3 | Red Shift | 000 ⇔ 000 001 ⇔ 255 | Aan Uit |
| 4 | Stroboscoop | 000 ⇔ 010 011 ⇔ 132 133 ⇔ 255 | Geen functie Stroboscoop, langzaam bis snel (alle pods) Stroboscoop, langzaam bis snel (willekeurige strobo-macro's) |
| 5 | Wit 1 | 000 ⇔ 255 | 0–100% |
| 6 | Wit 2 | 000 ⇔ 255 | 0–100% |
| 7 | Automatisch programma | 000 ⇔ 010 011 ⇔ 040 041 ⇔ 080 081 ⇔ 120 121 ⇔ 160 161 ⇔ 200 201 ⇔ 240 241 ⇔ 255 | Geen functie Auto 1 Auto 2 Auto 3 Auto 4 Auto 5 Auto 6 Geen functie |
| 8 | Dimmersnelheid* | 000 ⇔ 051 052 ⇔ 101 102 ⇔ 152 153 ⇔ 203 204 ⇔ 255 | Huidige snelheidsmodus van de dimmer Lineaire dimmer Niet-lineaire dimcurve 1 (snelst) Niet-lineaire dimcurve 2 Niet-lineaire dimcurve 3 (langzaamst) |



*Houd de gewenste waarde voor de dimmersnelheid 3 seconden vast en laat het daarna los. Dit verandert de instelling van de dimmersnelheid in het menu.

5 Ch

| Kanaal | Functie | Waarde | Percentage/Instelling |
|--------|-----------------------|--|---|
| 1 | Dimmer | 000 ⇄ 255 | 0–100% |
| 2 | Red Shift | 000 ⇄ 000 001 ⇄ 255 | Aan Uit |
| 3 | Stroboscoop | 000 ⇄ 010 011 ⇄ 132 133 ⇄ 255 | Geen functie Stroboscoop, langzaam bis snel (alle pods) Stroboscoop, langzaam bis snel (willekeurige strobo-macro's) |
| 4 | Automatisch programma | 000 ⇄ 010 011 ⇄ 040 041 ⇄ 080 081 ⇄ 120 121 ⇄ 160 161 ⇄ 200 201 ⇄ 240 241 ⇄ 255 | Geen functie Auto 1 Auto 2 Auto 3 Auto 4 Auto 5 Auto 6 Geen functie |
| 5 | Dimmersnelheid* | 000 ⇄ 051 052 ⇄ 101 102 ⇄ 152 153 ⇄ 203 204 ⇄ 255 | Huidige snelheidsmodus van de dimmer Lineaire dimmer Niet-lineaire dimcurve 1 (snelst) Niet-lineaire dimcurve 2 Niet-lineaire dimcurve 3 (langzaamst) |



*Houd de gewenste waarde voor de dimmersnelheid 3 seconden vast en laat het daarna los. Dit verandert de instelling van de dimmersnelheid in het menu.

4 Ch

| Kanaal | Functie | Waarde | Percentage/Instelling |
|--------|-----------------|---|---|
| 1 | Wit 1 | 000 ⇄ 255 | 0–100% |
| 2 | Wit 2 | 000 ⇄ 255 | 0–100% |
| 3 | Red Shift | 000 ⇄ 000 001 ⇄ 255 | Aan Uit |
| 4 | Dimmersnelheid* | 000 ⇄ 051 052 ⇄ 101 102 ⇄ 152 153 ⇄ 203 204 ⇄ 255 | Huidige snelheidsmodus van de dimmer Lineaire dimmer Niet-lineaire dimcurve 1 (snelst) Niet-lineaire dimcurve 2 Niet-lineaire dimcurve 3 (langzaamst) |



*Houd de gewenste waarde voor de dimmersnelheid 3 seconden vast en laat het daarna los. Dit verandert de instelling van de dimmersnelheid in het menu.

3 Ch

| Kanaal | Functie | Waarde | Percentage/Instelling |
|--------|-----------------|---|---|
| 1 | Dimmer | 000 ⇄ 255 | 0–100% |
| 2 | Red Shift | 000 ⇄ 000 001 ⇄ 255 | Aan Uit |
| 3 | Dimmersnelheid* | 000 ⇄ 051 052 ⇄ 101 102 ⇄ 152 153 ⇄ 203 204 ⇄ 255 | Huidige snelheidsmodus van de dimmer Lineaire dimmer Niet-lineaire dimcurve 1 (snelst) Niet-lineaire dimcurve 2 Niet-lineaire dimcurve 3 (langzaamst) |



*Houd de gewenste waarde voor de dimmersnelheid 3 seconden vast en laat het daarna los. Dit verandert de instelling van de dimmersnelheid in het menu.

2 Ch

| Kanaal | Functie | Waarde | Percentage/Instelling |
|--------|---------|-----------|-----------------------|
| 1 | Wit 1 | 000 ⇄ 255 | 0–100% |
| 2 | Wit 2 | 000 ⇄ 255 | 0–100% |

1 Ch

| Kanaal | Functie | Waarde | Percentage/Instelling |
|--------|---------|-----------|-----------------------|
| 1 | Dimmer | 000 ⇄ 255 | 0–100% |

Contact Us

| General Information | Technical Support |
|--|--|
| Chauvet World Headquarters | |
| Address: 5200 NW 108th Ave. Sunrise, FL 33351 Voice: (954) 577-4455 Fax: (954) 929-5560 Toll Free: (800) 762-1084 | Voice: (844) 393-7575 Fax: (954) 756-8015 Email: chauvetcs@chauvetlighting.com Website: www.chauvetprofessional.com |
| Chauvet Europe Ltd. | |
| Address: Unit 1C Brookhill Road Industrial Estate Pinxton, Nottingham, UK NG16 6NT Voice: +44 (0) 1773 511115 Fax: +44 (0) 1773 511110 | Email: UKtech@chauvetlighting.eu Website: www.chauvetprofessional.eu |
| Chauvet Europe BVBA | |
| Address: Stokstraat 18 9770 Kruishoutem Belgium Voice: +32 9 388 93 97 | Email: BNLtech@chauvetlighting.eu Website: www.chauvetprofessional.eu |
| Chauvet France | |
| Address: 3, Rue Ampère 91380 Chilly-Mazarin France Voice: +33 1 78 85 33 59 | Email: FRtech@chauvetlighting.fr Website: www.chauvetprofessional.eu |
| Chauvet Germany | |
| Address: Bruno-Bürgel-Str. 11 28759 Bremen Germany Voice: +49 421 62 60 20 | Email: DEtech@chauvetlighting.de Website: www.chauvetprofessional.eu |
| Chauvet Mexico | |
| Address: Av. de las Partidas 34 - 3B (Entrance by Calle 2) Zona Industrial Lerma Lerma, Edo. de México, CP 52000 Voice: +52 (728) 690-2010 | Email: servicio@chauvet.com.mx Website: www.chauvetprofessional.mx |

Visit the applicable website above to verify our contact information and instructions to request support. Outside the US, UK, Ireland, Benelux, France, Germany, or Mexico, contact the dealer of record.

